



21 Series

The Imaging Source "21" Series of CCD cameras are the perfect solution for many industrial automation, quality assurance, security, surveillance, and medical applications. Utilizing monochrome and color 1/4" Sony ICX098 sensors, this VGA format camera is available both in housed and board level versions with a choice of protocols including USB 2.0, Firewire 400, and Gigabit Ethernet.

The 21 Series further features a variety of input, output, strobe, and trigger options via an external Hirose port or a direct 12-pin board header. With speeds up to 60 fps and a trigger delay of less than 5 microseconds, the 21 Series of cameras from The Imaging Source are a low cost, yet highly versatile imaging solution.

Included:

- Camera , CS to C mount Spacer, and Tripod Mount
- Drivers for WDM, DirectX®, TWAIN, ActivVisionTools, HALCON, VFW, LabVIEW®, and MIL for Windows XP and Windows Vista and Windows 7
- IC Capture camera control and acquisition software for Windows XP through Windows 7 (32 and 64 bit versions supported)
- IC Imaging Control: SDK (Software Development Kit) including a .NET component, an ActiveX, and a C++ Class library for Windows

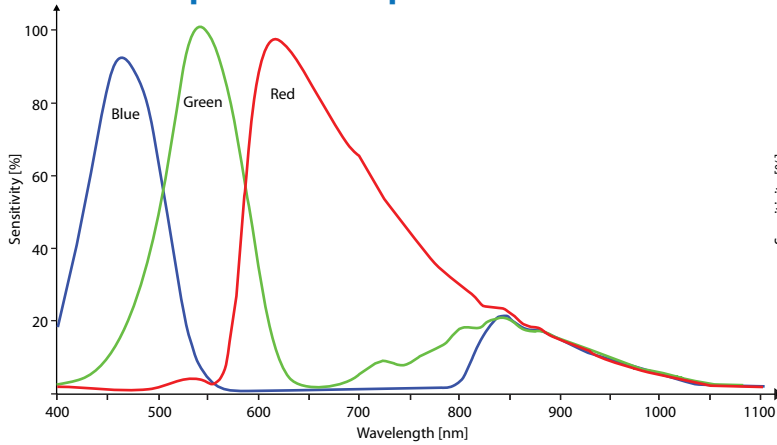
Software developers and system engineers prefer The Imaging Source cameras for their ease of integration and comprehensive SDK.

Common Uses:

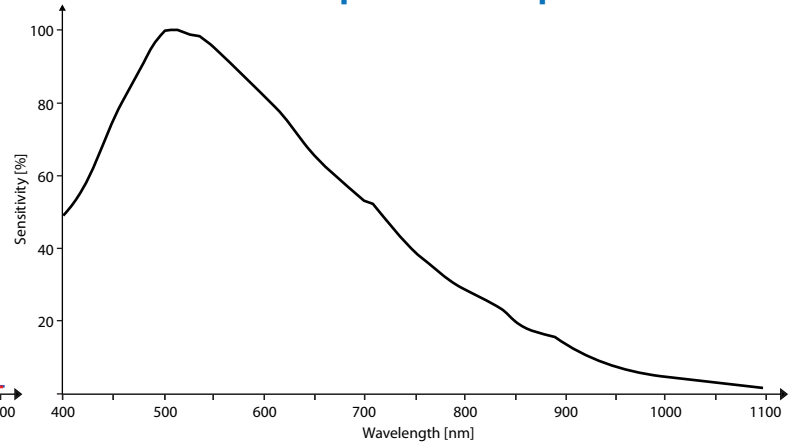
- Industrial Automation and Quality Control
- Security and Situational Awareness
- Multimedia and Entertainment
- Astronomy and Life Sciences
- Metrology
- Logistics



Color Spectral Response



Monochrome Spectral Response



Specifications

Sensor	ICX098BQ (Color)
	ICX098BL (Mono)
Pixel Size	5.6 x 5.6 Microns
Maximum Resolution	640 x 480 Pixels
Imaging Area	4.6mm x 3.97mm
Optical Format	1/4 Inch
Frame Rate	Max 60 FPS
Shutter Type	Global
IR Cut Filter	Optional
Current Consumption	500 mA at 5 VDC
Operating Temperature	-5 °C to 45 °C
Dynamic Range	8 Bit

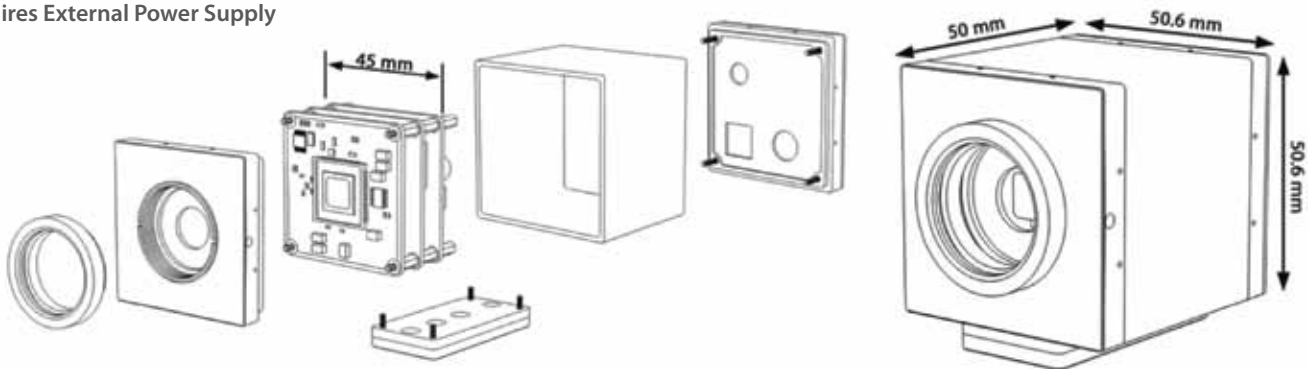
Accessories

- CS to M12 Adapter
- C, CS, and M12 Lenses
- USB Cable (1.8m, 3m, 4.5m)
- 1394 FireWire Cable (1.8m, 3m, 5m, 10m)
- Gig E Power Supply (120V, 220V)
- BNC Trigger Cable (1.5 m, 3m, 3m)
- 12 - Pin Hirose Break-out Cable (1.5m)

Options

Color (x=F) Monochrome (x=M)	DxK 21AU04 DxK 21AF04 DxK 21AG04*	DxK 21BU04 DxK 21BF04	DxK 21BU04.H DxK 21BF04.H DxK 21BG04.H*	DxK 21AG04.I*
Trigger		X	X	
Input/Output		X	X	
Auto Iris				X
C and CS Mount	X	X	X	X
Board Level Available	X	X	X	X

* Requires External Power Supply



THE IMAGINGSOURCE
TECHNOLOGY BASED ON STANDARDS

All product and company names in this document may be trademarks and tradenames of their respective owners and are hereby acknowledged. The Imaging Source Europe GmbH cannot and does not take any responsibility or liability for any information contained in this document. The source code presented in this document is exclusively used for didactic purposes. The Imaging Source does not assume any kind of warranty expressed or implied, resulting from the use of the content of this document or the source code. The Imaging Source Company reserves the right to make changes in specifications, function or design at any time and without prior notice.

Copyright © 2011 The Imaging Source Europe GmbH. All rights reserved. Reprint, also in parts, only allowed with permission of The Imaging Source Europe GmbH.

Headquarters: The Imaging Source Europe GmbH
Sommerstrasse 36, D-28215 Bremen, Germany
Phone: +49 421 33591-0

North & South America: The Imaging Source, LLC
6926 Shannon Willow Rd, S 400, Charlotte, NC 28226
Phone: +1 704-370-0110

Asia Pacific: The Imaging Source Asia Co. Ltd.
6F-1, No.230, Sec.3, Ba-De Road
Song-Shan District 10555, Taipei City, Taiwan
Phone: +886 2-2577-1228



31 Series

The Imaging Source "31" Series of CCD cameras are the perfect solution for many industrial automation, quality assurance, security, surveillance, and medical applications. Utilizing monochrome and color 1/3" Sony ICX204 sensors, this SVGA format camera is available both in housed and board level versions with a choice of protocols including USB 2.0, Firewire 400, and Gigabit Ethernet.

The 31 Series further features a variety of input, output, strobe, and trigger options via an external Hirose port or a direct 12-pin board header. With speeds up to 30 fps and a trigger delay of less than 5 microseconds, the 31 Series of cameras from The Imaging Source are a low cost, yet highly versatile imaging solution.

Included:

- Camera , CS to C mount Spacer, and Tripod Mount
- Drivers for WDM, DirectX®, TWAIN, ActivVisionTools, HALCON, VFW, LabVIEW®, and MIL for Windows XP and Windows Vista and Windows 7
- IC Capture camera control and acquisition software for Windows XP through Windows 7 (32 and 64 bit versions supported)
- IC Imaging Control: SDK (Software Development Kit) including a .NET component, an ActiveX, and a C++ Class library for Windows

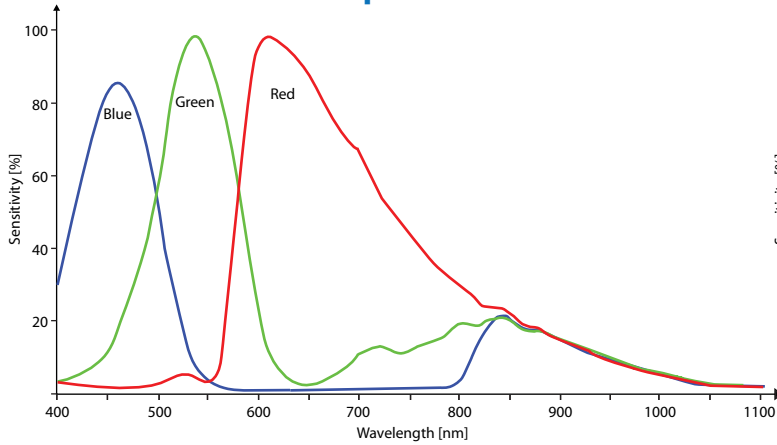
Software developers and system engineers prefer The Imaging Source cameras for their ease of integration and comprehensive SDK.

Common Uses:

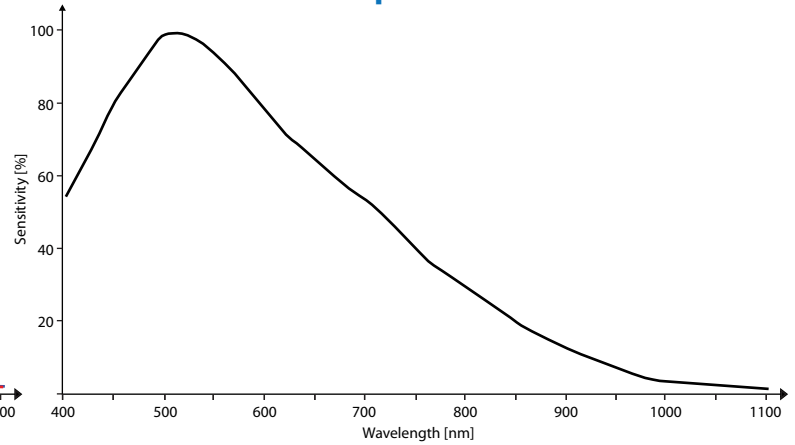
- Industrial Automation and Quality Control
- Security and Situational Awareness
- Multimedia and Entertainment
- Astronomy and Life Sciences
- Metrology
- Logistics



Color Sensor Response



Mono Sensor Response



Specifications

Sensor	ICX204AK (Color)
	ICX204AL (Mono)
Pixel Size	4.65 x 4.65 Microns
Maximum Resolution	1024 x 768 Pixels
Imaging Area	5.80mm x 4.92mm
Optical Format	1/3 Inch
Frame Rate	Max 30 FPS
Shutter Type	Global
IR Cut Filter	Optional
Current Consumption	500 mA at 5 VDC
Operating Temperature	-5 °C to 45 °C
Dynamic Range	8 Bit

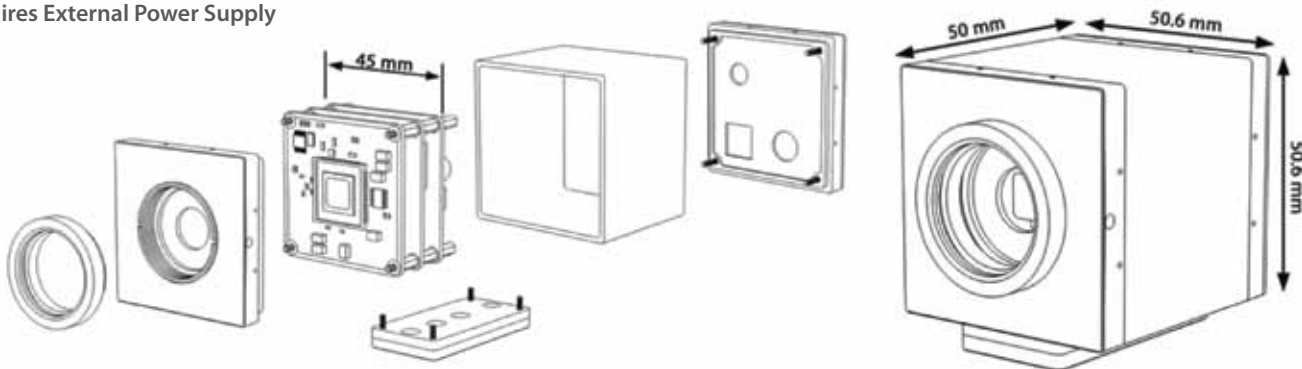
Accessories

- CS to M12 Adapter
- C, CS, and M12 Lenses
- USB Cable (1.8m, 3m, 4.5m)
- 1394 FireWire Cable (1.8m, 3m, 5m, 10m)
- Gig E Power Supply (120V, 220V)
- BNC Trigger Cable (1.5 m, 3m, 3m)
- 12 - Pin Hirose Break-out Cable (1.5m)

Options

Color (x=F) Monochrome (x=M)	DxK 31AU03 DxK 31AF03 DxK 31AG03*	DxK 31BU03 DxK 31BF03	DxK 31BU03.H DxK 31BF03.H DxK 31BG03.H*	DxK 31AG03.I*
Trigger		X	X	
Input/Output		X	X	
Auto Iris				X
C and CS Mount	X	X	X	X
Board Level Available	X	X	X	X

* Requires External Power Supply



THE IMAGINGSOURCE
TECHNOLOGY BASED ON STANDARDS

All product and company names in this document may be trademarks and tradenames of their respective owners and are hereby acknowledged. The Imaging Source Europe GmbH cannot and does not take any responsibility or liability for any information contained in this document. The source code presented in this document is exclusively used for didactic purposes. The Imaging Source does not assume any kind of warranty expressed or implied, resulting from the use of the content of this document or the source code. The Imaging Source Company reserves the right to make changes in specifications, function or design at any time and without prior notice.

Copyright © 2011 The Imaging Source Europe GmbH. All rights reserved. Reprint, also in parts, only allowed with permission of The Imaging Source Europe GmbH.

Headquarters: The Imaging Source Europe GmbH
Sommerstrasse 36, D-28215 Bremen, Germany
Phone: +49 421 33591-0

North & South America: The Imaging Source, LLC
6926 Shannon Willow Rd, S 400, Charlotte, NC 28226
Phone: +1 704-370-0110

Asia Pacific: The Imaging Source Asia Co. Ltd.
6F-1, No.230, Sec.3, Ba-De Road
Song-Shan District 10555, Taipei City, Taiwan
Phone: +886 2-2577-1228



41 Series

The Imaging Source "41" Series of CCD cameras are the perfect solution for many industrial automation, quality assurance, security, surveillance, and medical applications. Utilizing monochrome and color 1/2" Sony ICX205 sensors, this XGA format camera is available with the choice of protocols including USB 2.0, Firewire 400, and Gigabit Ethernet.

The 41 Series further features a variety of input, output, strobe, and trigger options via an external Hirose port or a direct 12-pin board header. With speeds up to 15 fps and a trigger delay of less than 5 microseconds, the 41 Series of cameras from The Imaging Source are a low cost, yet highly versatile imaging solution.

Included:

- Camera , CS to C mount Spacer, and Tripod Mount
- Drivers for WDM, DirectX®, TWAIN, ActivVisionTools, HALCON, VFW, LabVIEW®, and MIL for Windows XP and Windows Vista and Windows 7
- IC Capture camera control and aquisition software for Windows XP through Windows 7 (32 and 64 bit versions supported)
- IC Imaging Control: SDK (Software Development Kit) including a .NET component, an ActiveX, and a C++ Class library for Windows

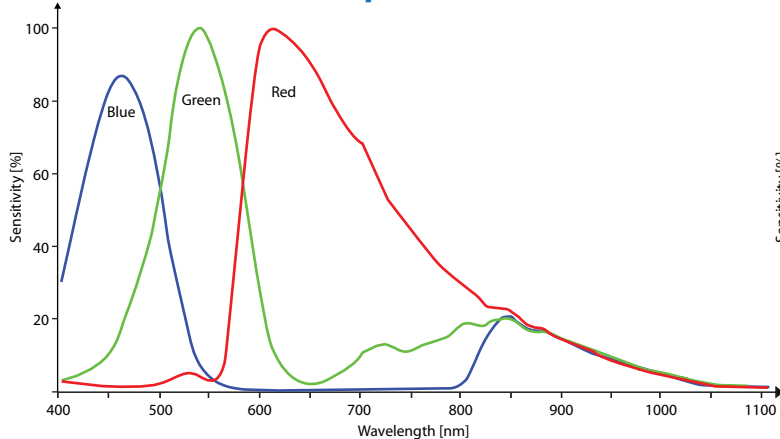
Software developers and system engineers prefer The Imaging Source cameras for their ease of integration and comprehensive SDK.

Common Uses:

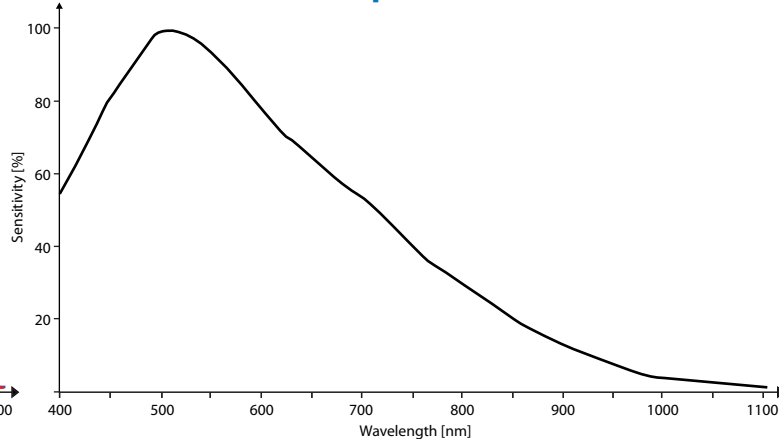
- Industrial Automation and Quality Control
- Security and Situational Awareness
- Multimedia and Entertainment
- Astronomy and Life Sciences
- Metrology
- Logistics



Color Sensor Response



Mono Sensor Response



Specifications

Sensor	ICX205AK (Color)
	ICX205AL (Mono)
Pixel Size	4.65 x 4.65 Microns
Maximum Resolution	1280 x 960 Pixels
Imaging Area	7.60mm x 6.20mm
Optical Format	1/2 Inch
Frame Rate	Max 15 FPS
Shutter Type	Global
IR Cut Filter	Optional
Current Consumption	500 mA at 5 VDC
Operating Temperature	-5 °C to 45 °C
Dynamic Range	8 Bit

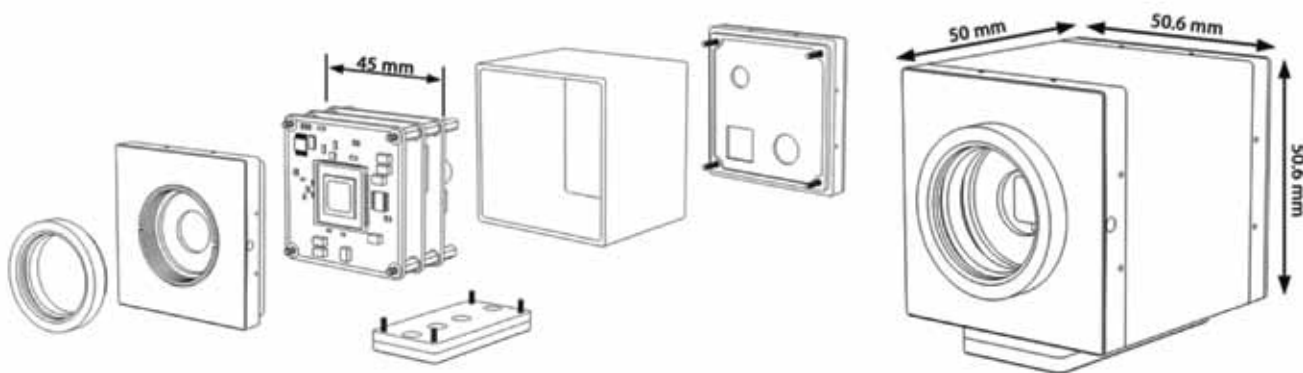
Accessories

- CS to M12 Adapter
- C, CS, and M12 Lenses
- USB Cable (1.8m, 3m, 4.5m)
- 1394 FireWire Cable (1.8m, 3m, 5m, 10m)
- Gig E Power Supply (120V, 220V)
- BNC Trigger Cable (1.5 m, 3m, 3m)
- 12 - Pin Hirose Break-out Cable (1.5m)

Options

Color (x=F) Monochrome (x=M)	DxK 41AU02 DxK 41AF02 DxK 41AG02*	DxK 41BU02 DxK 41BF02	DxK 41BU02.H DxK 41BF02.H DxK 41BG02.H*	DxK 41AG02.I*
Trigger		X	X	
Input/Output		X	X	
Auto Iris				X
C and CS Mount	X	X	X	X

* Requires External Power Supply



THE IMAGINGSOURCE
TECHNOLOGY BASED ON STANDARDS

All product and company names in this document may be trademarks and tradenames of their respective owners and are hereby acknowledged. The Imaging Source Europe GmbH cannot and does not take any responsibility or liability for any information contained in this document. The source code presented in this document is exclusively used for didactic purposes. The Imaging Source does not assume any kind of warranty expressed or implied, resulting from the use of the content of this document or the source code. The Imaging Source Company reserves the right to make changes in specifications, function or design at any time and without prior notice.

Copyright © 2011 The Imaging Source Europe GmbH. All rights reserved. Reprint, also in parts, only allowed with permission of The Imaging Source Europe GmbH.

Headquarters: The Imaging Source Europe GmbH
Sommerstrasse 36, D-28215 Bremen, Germany
Phone: +49 421 33591-0

North & South America: The Imaging Source, LLC
6926 Shannon Willow Rd, S 400, Charlotte, NC 28226
Phone: +1 704-370-0110

Asia Pacific: The Imaging Source Asia Co. Ltd.
6F-1, No.230, Sec.3, Ba-De Road
Song-Shan District 10555, Taipei City, Taiwan
Phone: +886 2-2577-1228



The Imaging Source "51" Series of CCD cameras are the perfect solution for many industrial automation, quality assurance, security, surveillance, and medical applications. Utilizing monochrome and color 1/2" Sony ICX274 Super HAD sensors, this 2 MegaPixel format camera is available with the choice of protocols including USB 2.0, and Gigabit Ethernet.

The 51 Series further features a variety of input, output, strobe, and trigger options via an external Hirose port or a direct 12-pin board header. With speeds up to 12 fps and a trigger delay of less than 5 microseconds, the 51 Series of cameras from The Imaging Source are a low cost, yet highly versatile high format imaging solution.

Included:

- Camera , CS to C mount Spacer, and Tripod Mount
- Drivers for WDM, DirectX®, TWAIN, ActivVisionTools, HALCON, VfW, LabVIEW®, and MIL for Windows XP and Windows Vista and Windows 7
- IC Capture camera control and aquisition software for Windows XP through Windows 7 (32 and 64 bit versions supported)
- IC Imaging Control: SDK (Software Development Kit) including a .NET component, an ActiveX, and a C++ Class library for Windows

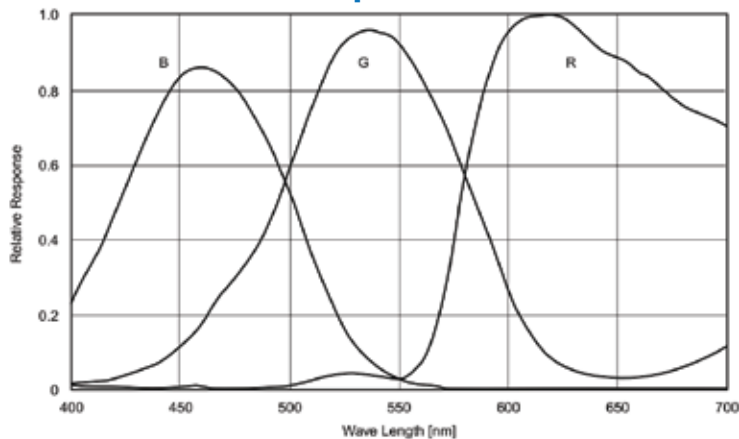
Software developers and system engineers prefer The Imaging Source cameras for their ease of integration and comprehensive SDK.

Common Uses:

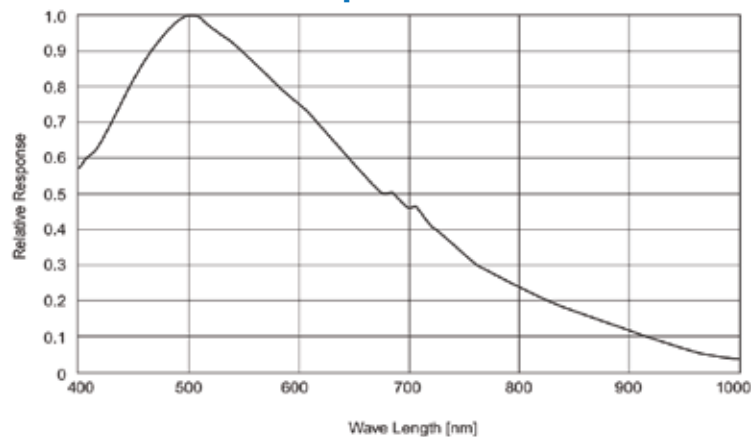
- Industrial Automation and Quality Control
- Security and Situational Awareness
- Multimedia and Entertainment
- Astronomy and Life Sciences
- Metrology
- Logistics



Color Sensor Response



Mono Sensor Response



Specifications

Sensor	ICX274AQ (Color)
	ICX274AL (Mono)
Pixel Size	4.4 x 4.4 Microns
Maximum Resolution	1600 x 1200 Pixels
Imaging Area	8.50mm x 6.80mm
Optical Format	1/1.8 Inch
Frame Rate	Max 12 FPS
Shutter Type	Global
IR Cut Filter	Optional
Current Consumption	500 mA at 5 VDC
Operating Temperature	-5 °C to 45 °C

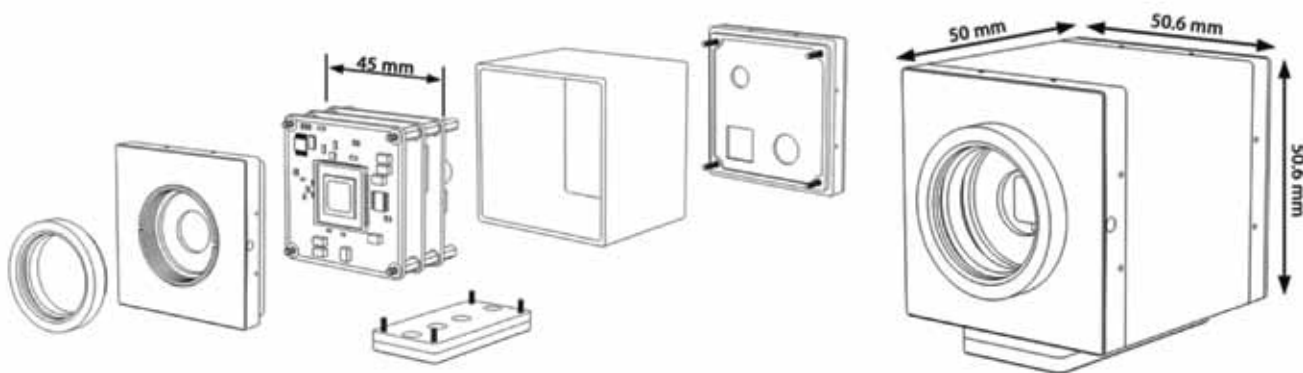
Accessories

- CS to M12 Adapter
- C, CS, and M12 Lenses
- USB Cable (1.8m, 3m, 4.5m)
- Gig E Power Supply (120V, 220V)
- BNC Trigger Cable (1.5 m, 3m, 3m)
- 12 - Pin Hirose Break-out Cable (1.5m)

Options

Color (x=F) Monochrome (x=M)	DxK 51AU02 DxK 51AG02*	DxK 51BU02	DxK 51BU02.H DxK 51BG02.H*	DxK 51AG02.I*
Trigger		X	X	
Input/Output		X	X	
Auto Iris				X
C and CS Mount	X	X	X	X

* Requires External Power Supply



THE IMAGINGSOURCE
TECHNOLOGY BASED ON STANDARDS

All product and company names in this document may be trademarks and tradenames of their respective owners and are hereby acknowledged. The Imaging Source Europe GmbH cannot and does not take any responsibility or liability for any information contained in this document. The source code presented in this document is exclusively used for didactic purposes. The Imaging Source does not assume any kind of warranty expressed or implied, resulting from the use of the content of this document or the source code. The Imaging Source Company reserves the right to make changes in specifications, function or design at any time and without prior notice.

Copyright © 2011 The Imaging Source Europe GmbH. All rights reserved. Reprint, also in parts, only allowed with permission of The Imaging Source Europe GmbH.

Headquarters: The Imaging Source Europe GmbH
Sommerstrasse 36, D-28215 Bremen, Germany
Phone: +49 421 33591-0

North & South America: The Imaging Source, LLC
6926 Shannon Willow Rd, S 400, Charlotte, NC 28226
Phone: +1 704-370-0110

Asia Pacific: The Imaging Source Asia Co. Ltd.
6F-1, No.230, Sec.3, Ba-De Road
Song-Shan District 10555, Taipei City, Taiwan
Phone: +886 2-2577-1228