

AutoFocus

Changeable Microlens



The Imaging Source line of Autofocus cameras are the perfect solution for many industrial automation, quality assurance, security, surveillance, and medical applications. Utilizing the Aptina MT9V024 CMOS sensor with selectable windows and high speed readout capabilities, the accurate 125 micron stepper motor accepts all M12 lenses for a broad range of uses. The USB 2.0 protocol, the software driven automatic "One Push" focus, and the small housing makes this camera both elegant and versatile.

The Imaging Source 22 Series Autofocus cameras are characterized by **small housings**, **"One Push" focus**, and **very competitive prices**.

Included:

- Camera, M12 Lens Mount, Tripod Adapter
- Drivers for WDM, DirectX®, TWAIN, ActivVisionTools, HALCON, VFW, LabVIEW®, and MIL for Windows XP and Windows Vista and Windows 7 (32 and 64 bit)
- IC Capture camera control and acquisition software for Windows XP through Windows 7 (32 and 64 bit)
- IC Imaging Control: SDK (Software Developer's Kit) including a .NET component, an ActiveX, and a C++ Class library for Windows (32 and 64 bit)

Software developers and system engineers prefer The Imaging Source cameras for their ease of integration and comprehensive SDK.

Common Uses:

- Industrial Automation and Quality Control
- Security and Situational Awareness
- Multimedia and Entertainment
- Astronomy and Life Sciences
- Metrology
- Logistics



Specifications

Sensor	Aptina MT9V024
Pixel Size	6.0 x 6.0 Microns
Maximum Resolution	744 x 480 Pixels
Imaging Area	4.55mm x 2.97mm
Optical Format	1/3 Inch
Frame Rates	Resolution Dependant
Shutter Type	Global Shutter
Window Size	QVGA, VGA, WVGA
Current Consumption	250 mA at 5 VDC
Operating Temperature	-5 °C to 45 °C
Dynamic Range	8 Bit

Sample Modes

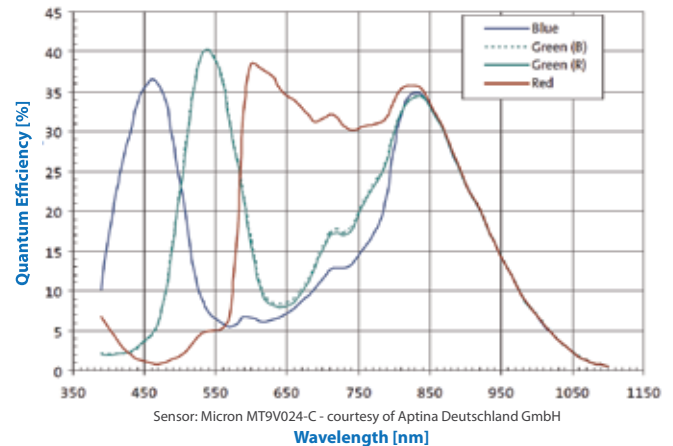
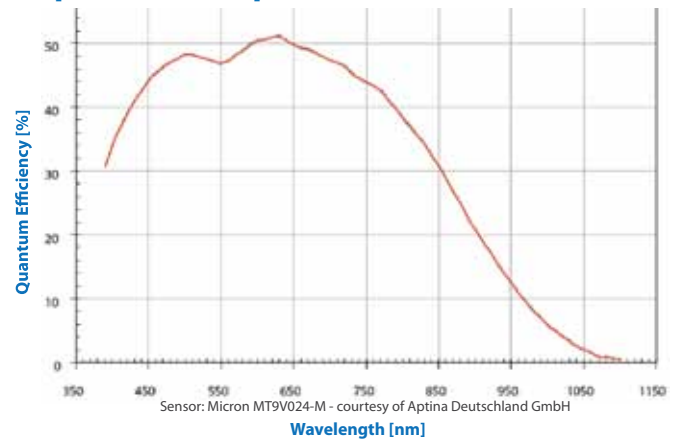
Resolution	Format	FPS	Sensitivity
744 x 480	1/3 "	60	4.8 V/lix-sec
640x 480	1/3 .5"	90	4.8 V/lix-sec
320x 240	1/7"	150	4.8 V/lix-sec

Resolution, format, FPS and sensitivity adjustable via included software.

Options

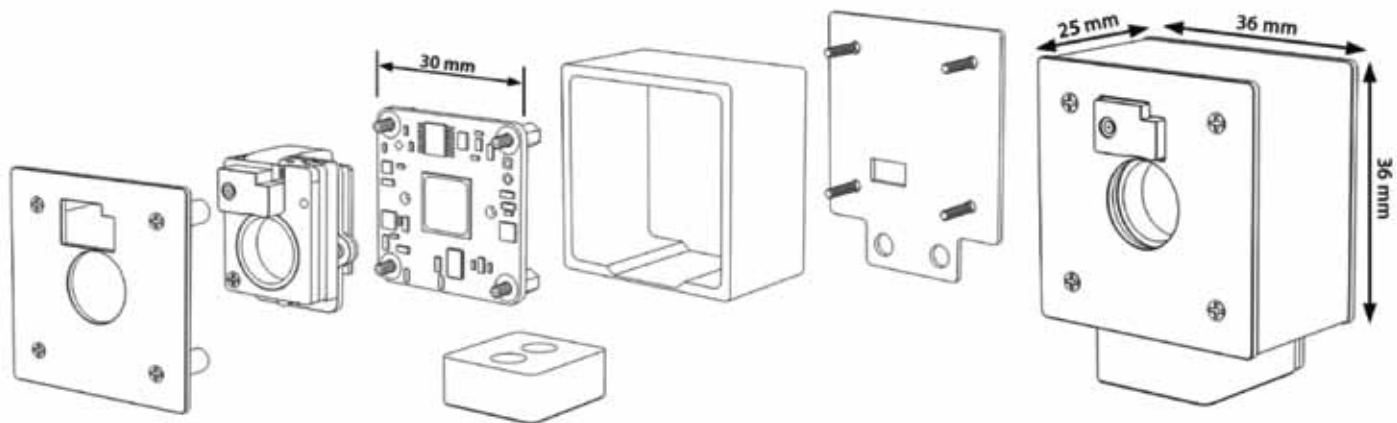
Color (x=F) Monochrome (x=M)	DxK 22AUC03-F	DxK 22BUC03-F
Trigger		X
GPIO		X

Spectral Response



Accessories

- M12 Lenses
- 4 - Pin Hirose Break-out Cable (1.5m)
- USB 2.0 Cable (1.8m, 3m, 4.5m)



All product and company names in this document may be trademarks and tradenames of their respective owners and are hereby acknowledged. The Imaging Source Europe GmbH cannot and does not take any responsibility or liability for any information contained in this document. The source code presented in this document is exclusively used for didactic purposes. The Imaging Source does not assume any kind of warranty expressed or implied, resulting from the use of the content of this document or the source code. The Imaging Source Company reserves the right to make changes in specifications, function or design at any time and without prior notice.

Copyright © 2011 The Imaging Source Europe GmbH. All rights reserved. Reprint, also in parts, only allowed with permission of The Imaging Source Europe GmbH.

Headquarters: The Imaging Source Europe GmbH
Sommerstrasse 36, D-28215 Bremen, Germany
Phone: +49 421 33591-0

North & South America: The Imaging Source, LLC
6926 Shannon Willow Rd, S 400, Charlotte, NC 28226
Phone: +1 704-370-0110

Asia Pacific: The Imaging Source Asia Co. Ltd.
6F-1, No.230, Sec.3, Ba-De Road
Song-Shan District 10555, Taipei City, Taiwan
Phone: +886 2-2577-1228

AutoFocus

Changeable Microlens



The Imaging Source line of Autofocus cameras are the perfect solution for many industrial automation, quality assurance, security and surveillance applications. Utilizing the Aptina MT9P031 CMOS sensor with selectable windows and pixel binning capabilities, the accurate 125 micron stepper motor accepts all M12 lenses for a broad range of uses. The USB 2.0 protocol, the software driven automatic "One Push" focus, and the small housing makes this camera both elegant and versatile.

The Imaging Source 72 Series Autofocus cameras are characterized by **small housings**, **"One Push" focus**, and **very competitive prices**.

Included:

- Camera, M12 Lens Mount, Tripod Adapter
- Drivers for WDM, DirectX®, TWAIN, ActivVisionTools, HALCON, Vfw, LabVIEW®, and MIL for Windows XP and Windows Vista and Windows 7 (32 and 64 bit)
- IC Capture camera control and acquisition software for Windows XP through Windows 7 (32 and 64 bit)
- IC Imaging Control: SDK (Software Developer's Kit) including a .NET component, an ActiveX, and a C++ Class library for Windows (32 and 64 bit)

Software developers and system engineers prefer The Imaging Source cameras for their ease of integration and comprehensive SDK.

Common Uses:

- Industrial Automation and Quality Control
- Security and Situational Awareness
- Multimedia and Entertainment
- Astronomy and Life Sciences
- Metrology
- Logistics



Specifications

Sensor	Aptina MT9P031
Pixel Size	2.2 x 2.2 Microns
Maximum Resolution	2592 x 1944 Pixels
Imaging Area	5.70mm x 4.28mm
Optical Format	1/2.5 Inch
Frame Rates	Resolution Dependant
Binning	2x and 4x
Shutter Type	Rolling
Window Size	Fully Programmable
Power Consumption	250 mA at 5 VDC
Operating Temperature	-5 °C to 45 °C
Dynamic Range	8 Bit

Sample Modes

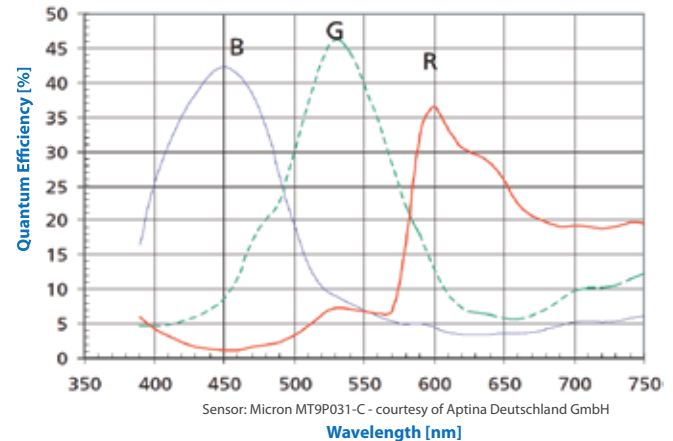
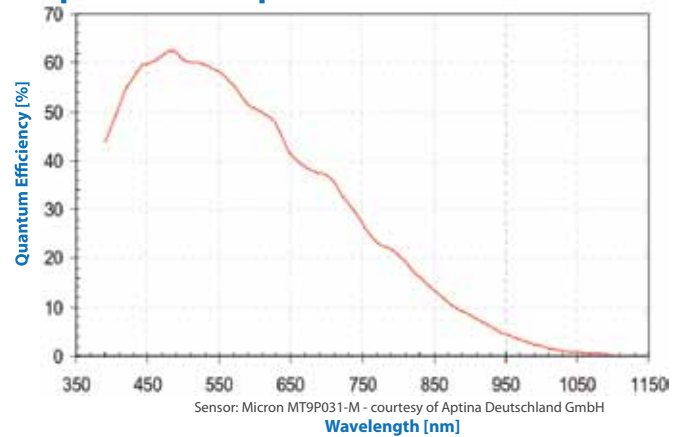
Resolution	Format	FPS	Sensitivity
2592 x 1944	1/2.5"	6	1.4 V/lix-sec
1280 x 960	1/4.5"	19	1.4 V/lix-sec
640 x 480	1/9"	52	1.4 V/lix-sec

Resolution, format, FPS and sensitivity adjustable via included software.

Options

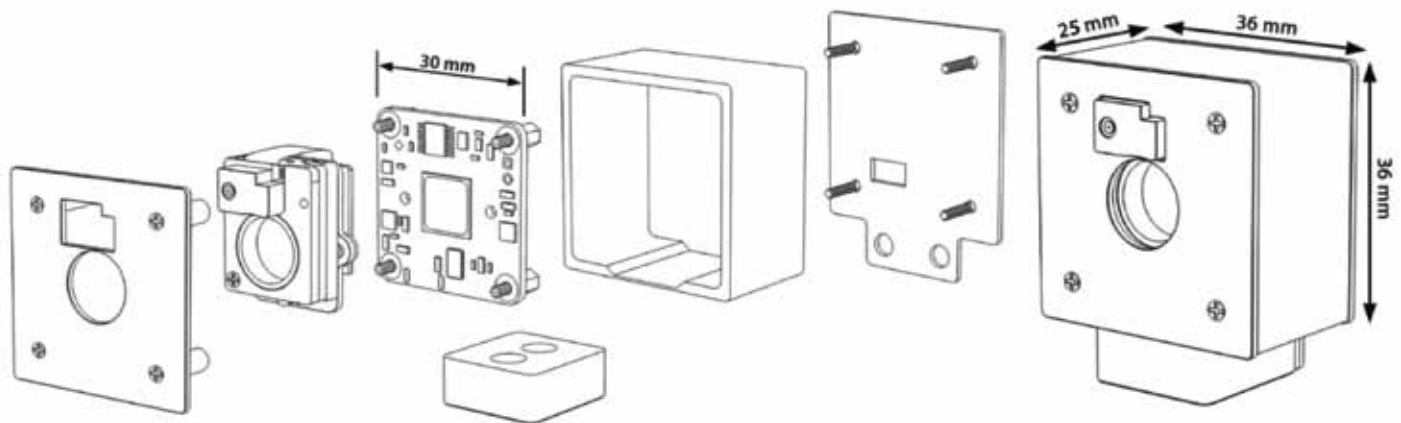
Color (x=F)	DxK 72AUC02-F	DxK 72BUC02-F
Monochrome (x=M)		
GPIO		X
Input/Output		X

Spectral Response



Accessories

- M12 Lenses
- 4 - Pin Hirose Break-out Cable (1.5m)
- USB 2.0 Cable (1.8m, 3m, 4.5m)



THE IMAGINGSOURCE
TECHNOLOGY BASED ON STANDARDS

All product and company names in this document may be trademarks and tradenames of their respective owners and are hereby acknowledged. The Imaging Source Europe GmbH cannot and does not take any responsibility or liability for any information contained in this document. The source code presented in this document is exclusively used for didactic purposes. The Imaging Source does not assume any kind of warranty expressed or implied, resulting from the use of the content of this document or the source code. The Imaging Source Company reserves the right to make changes in specifications, function or design at any time and without prior notice.

Copyright © 2011 The Imaging Source Europe GmbH. All rights reserved. Reprint, also in parts, only allowed with permission of The Imaging Source Europe GmbH.

Headquarters: The Imaging Source Europe GmbH
Sommerstrasse 36, D-28215 Bremen, Germany
Phone: +49 421 33591-0

North & South America: The Imaging Source, LLC
6926 Shannon Willow Rd, S 400, Charlotte, NC 28226
Phone: +1 704-370-0110

Asia Pacific: The Imaging Source Asia Co. Ltd.
6F-1, No.230, Sec.3, Ba-De Road
Song-Shan District 10555, Taipei City, Taiwan
Phone: +886 2-2577-1228