



72MHz Pixel Clock Camera Link B/W Camera

VCC-G32

Series

VCC-G32U21CL

1/1.8" CCD 30fps

UXGA

VCC-G32S11CL

2/3" CCD 34fps

SXGA

VCC-G32S21CL

1/2" CCD 38fps

SXGA



VCC-G32 series 72MHz pixel clock, high speed black and white camera

The high speed and non-compressed image output best suited for high-speed inspection applications.

Features switchable 8bit/10bit output.

Product Lineup G32U21CL: 2M pixel/30fps G32S21CL: 1.45M pixel/38fps

G32S11CL: 2/3" near-infrared sensitivity CCD/34fps

Features

High Resolution

High Frame Rate

C Mount

Mini Camera Link Connector

External Trigger Shutter

Pulse-width Trigger

Slow Shutter

Partial Scan



72MHz Pixel Clock Black and White Camera Link Camera

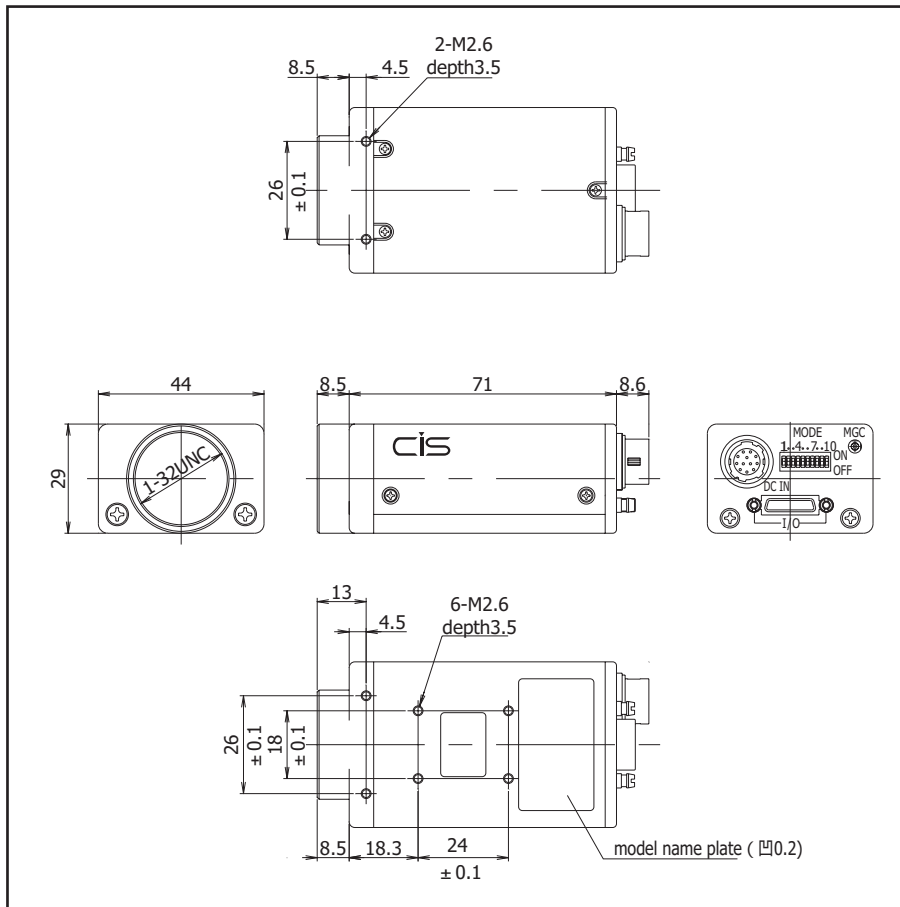
VCC-G32 Series



Feature Overview

	VCC-G32U21CL	VCC-G32S21CL	VCC-G32S11CL
Resolution	UXGA	SXGA	SXGA
Sensor Type	1/1.8"CCD	1/2"CCD	2/3"CCD
Power Consumption	3.7W		
Input Voltage	DC+12V ± 10%(Max. voltage not to exceed 15V)		
Operating Conditions	Temperature 0 ~ +40 Humidity 20 ~ 80%		
Weight	Approx.140g		
Lens Mount	C Mount		
Optical Axis Accuracy	Less than (Pixel Center) ± 0.1mm		
Video Output Signal	Digital 8bit / 10bit(switchable)		
Effective Number of Pixels	1628(H) × 1236(V)	1392(H) × 1040(V)	1392(H) × 1040(V)
Horizontal Scan Frequency	37.5KHz	40.22KHz	36KHz
Pixel Clock	72MHz		
Pixel Size	4.4 × 4.4(μ m)	4.65 × 4.65(μ m)	6.45 × 6.45(μ m)
Minimum Illumination	F1.4 3lx	F1.4 5lx	F1.4 0.5lx
Sensitivity	F5.6 400lx	F2.8 400lx	F11 400lx
Standard Color Temperature	3200 ° K		
Gain Switching	0dB ,+6dB ,MANUAL(min-1dB ~ max+12dB)		
Electronic Shutter	OFF ~ 1/10000秒		
Sync. Method	Internal Sync. External Sync. HD/VD		
External Trigger	Fixed Shutter Exposure/Pulse Width Exposure		
Partial Scan	Programmable Position/Width/Read Position/Number of Lines		
Gamma Compensation	Default OFF		
Control Interface	Camera Link / RS232C(Optional)		
Dimensions	44mm × 29mm × 71.5mm(excluding projection)		

Dimensions



Important Notice

Information contained herein is subject to change without prior notice.

Manufacturer

CIS Corporation

539-5, Higashiasakawa-machi, Hachioji-shi,
Tokyo, 193-0834 Japan
TEL. +81-426-64-5535 FAX. +81-426-69-7471
<http://www.ciscorp.co.jp>

Authorized Distributor

For further information on the product, please contact your authorized distributor.