



English

**VISION:analog™**

**29mm Cubic UXGA  
Analog B/W Camera**

**VCC-G20U20A**

**Product Specification  
& Operation Manual**

**CIS Corporation**

## Table of Contents

1. Scope of Application.....	3
2. Notice.....	3
3. Product Outline.....	4
4. Specification.....	5
4.1. General Specification.....	5
4.2. Camera Output Signal Specification.....	7
4.3. CCD Spectral Response (Representative Value).....	8
5. Function Settings.....	8
6. External Connector Pin Assignment.....	13
7. Timing Chart.....	14
7.1. Horizontal Synchronous Timing.....	14
7.2. Vertical Synchronous Timing.....	14
7.2.1. Full Frame Scan Mode.....	14
7.2.2. Binning Mode.....	15
7.2.3. 1/2 Partial Scan Mode.....	15
7.2.4. 1/4 Partial Scan Mode.....	16
7.3. Restart Rest Mode (Long Time Exposure) Timing.....	16
7.4. Trigger Shutter Mode Timing.....	17
7.4.1. Fixed Trigger Shutter Mode (SYNC Reset).....	17
7.4.2. Pulse Width Trigger Shutter Mode 1 (SYNC Reset).....	17
7.4.3. Pulse Width Trigger Shutter Mode 2 (SYNC Non-Reset).....	18
8. CCD Optical Axis Accuracy.....	19
9. Dimensions.....	20
10. Cases for Indemnity (Limited Warranty).....	21
11. CCD Pixel Defect.....	21
12. Product Support.....	21

## 1. Scope of Application

This is to describe VCC-G20U20A UXGA analog B/W CCD camera. All specifications contained herein are subject to change without prior notice. Reproduction in whole or in part is prohibited.

## 2. Notice

The camera must not be used for any nuclear equipments or aerospace equipments with which mechanical failure or malfunction could result in serious bodily injury or loss of human life. Our warranty does not apply to damages or defects caused by irregular and/or abnormal use of the product.

Please observe all warnings and cautions stated below.

Our warranty does not apply to damages or malfunctions caused by neglecting these precautions.

- Do not use or store the camera in the following extreme conditions:
  - Extremely dusty or humid places.
  - Extremely hot or cold places (operating temperature  $-5^{\circ}\text{C}$  to  $+45^{\circ}\text{C}$ )
  - Close to generators of powerful electromagnetic radiation such as radio or TV transmitters.
  - Places subject to fluorescent light reflections.
  - Places subject to unstable (flickering, etc.) lighting conditions.
  - Places subject to strong vibration.
  
- Remove dust or dirt on the surface of the lens with a blower.
  
- Do not apply excessive force or static electricity that could damage the camera.
  
- Do not shoot direct images that are extremely bright (e.g., light source, sun, etc.), and when camera is not in use, put the lens cap on.
  
- Follow the instructions in Chapter 6, "External connector pin assignment" for connecting the camera. Improper connection may cause damages not only to the camera but also to the connected devices.
  
- Confirm the mutual ground potential carefully and then connect the camera to monitors or computers. AC leaks from the connected devices may cause damages or destroy the camera.
  
- Do not apply excessive voltage. (Use only the specified voltage.) Unstable or improper power supply voltage may cause damages or malfunction of the camera.

- Make sure that the camera and peripheral equipments are properly connected before turning the Camera on. Especially in INT/EXT sync signal settings, improper connection may cause damages to the camera and the connected devices.
- The voltage ripple of camera power DC +12V±10% shall be within ±50mV. Improper power supply voltage may cause noises on the video signals.

In case of abnormal operation, contact the distributor from whom you purchased the product.

### 3. Product Outline

VCC-G20U20A is a high-resolution industrial B/W analog camera module utilizing a 1/1.8-inch PS IT CCD. 2M pixels CCD image sensor with on-chip micro-lenses realizes high sensitivity and high resolution. Only 29mm<sup>3</sup> in size (excluding projection), light weight 45g, and speed makes it a best match for use in embedded systems.

#### Key Features

- HD/VD sync input or Trigger sync input are valid.
- OFF and 1/120s ~ 1/10,000s , 8 steps shutter speed can be set by rear switch.  
10μs ~ 250ms shutter speed can be set by trigger pulse width.
- 1/2 partial scan mode and 1/4 partial scan mode available.
- Binning mode available.
- Restart-reset function is also valid to enable long time exposure.
- Scanning system is switchable by the input level to 9pins circular connector at rear.
- Only 29mm<sup>3</sup> in size (excluding projection)
- As an optional function, γ=0.45, HD/VD 75Ωimpedance can be set as the factory initial setting.  
Please ask us for the details.

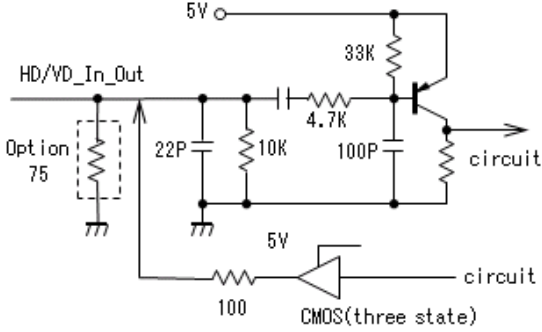
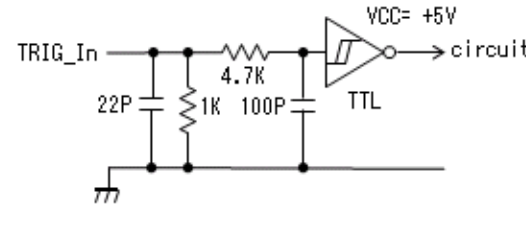
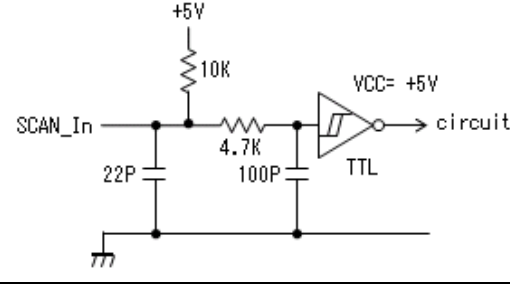
## 4. Specification

## 4.1. General Specification

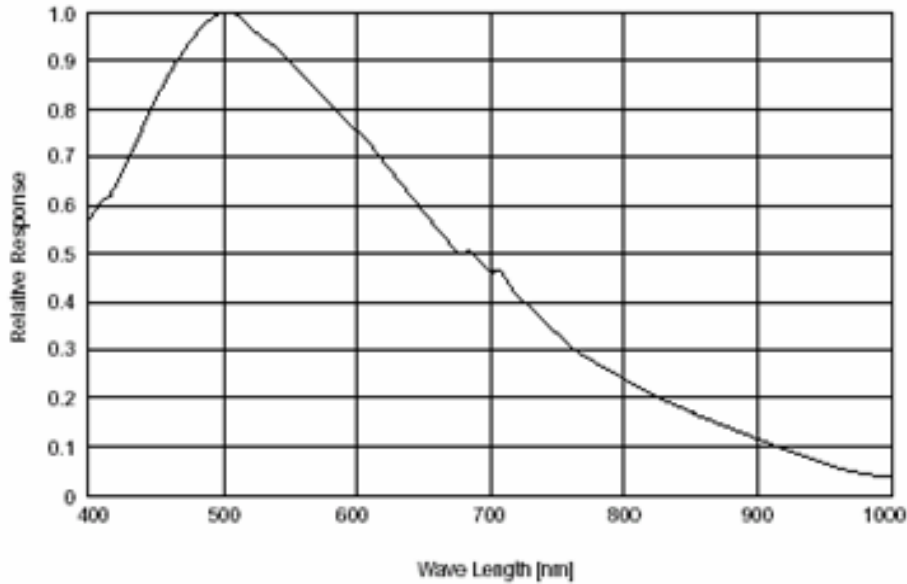
Item	Specification	
Pickup device	Device Type	1/1.8" Interline Transfer B/W CCD, Sony ICX274AL
	Effective Pixel Number	1628(H) x 1236 (V)
	Unit Cell Size	4.4 $\mu$ m (H) x 4.4 $\mu$ m (V)
	Chip Size	8.5mm (H) x 6.8mm (V)
Video output frequency	Pixel Clock	36 MHz
	Horizontal Frequency	18.75 kHz Pixel Clock: 1920 CLK
	Vertical Frequency	Full Frame Scan Mode: 14.98 Hz, 1252H
		Binning Mode: 29.95 Hz, 626H
	1/2 Partial Scan Mode: 29.95 Hz, 626H	
	1/4 Partial Scan Mode: 59.91 Hz, 313H	
Sync. system	Internal sync & HD/VD external sync (Internal/External recognized automatically)	
Video output standard	Analog	
Resolution	1200 TV lines	
Sensitivity	F8 400 lx (Shutter 1/15s, Gain 0dB, 3200K)	
Minimum illumination	F1.4 1.0 lx (Shutter 1/15s, max Gain VS 50IRE)	
S/N ratio	52dB	
Dust or stains in optical system	No dust or stain shall be detected on the testing screen with setting the camera aperture at F16.	
Power requirements	DC +12V $\pm$ 10% (Max voltage not to exceed 15V)	
Power consumption	1.9 W (Max. 2.5W) at DC +12V IN	
Dimension	Refer to overall dimension drawing (Clause 9) 29mm x 29mm x 29mm (excluding projection)	
Weight	Approx. 45 g	
Lens mount	C mount (Refer to overall dimension drawing)	
Optical axis accuracy	Refer to drawing for CCD Optical Axis Accuracy (Clause 8)	
Gain variable range	0~12dB (guaranteed range)	
Gamma	1 (fixed)	
Shutter speed variable range	Fixed Switch: OFF (1/15), 1/120, 1/300, 1/600, 1/1,250, 1/2,500, 1/5,000, 1/10,000s Pulse Width: 10 $\mu$ s ~ 250ms	
Trigger shutter mode	• Fixed trigger shutter mode • Pulse width trigger shutter mode	

Item	Specification		
Safety/Quality standards	UL: Conform to UL Standard including materials and others. RoHS: Conform to RoHS CE: Conform to EN55022:2006 (Class B): Emission Conform to EN61000-6-2:2005: Immunity FCC: Conform to FCC Class A digital Device This device complies with Part 15 of the FCC Rules. Operation is subject to the following two conditions: (1) this device may not cause harmful interference, and (2) this device must accept any interference received, including interference that may cause undesired operation.		
Durability	Vibration	Acceleration	98 m/s <sup>2</sup> (10.0G)
		Frequency	20~200 Hz
		Direction	X, Y, and Z 3 directions
		Testing time	120 min for each direction
	Shock	No malfunction shall be occurred with 490m/s <sup>2</sup> (50G) for 6 directions, ±X, ±Y, and ±Z direction. (without package)	
Operation environment	Temperature	Operation guaranteed: -5°C~+45°C Performance guaranteed: 0°C~+40°C	
	Humidity	RH 20~80% with no condensation	
Storage environment	Temperature	-25°C ~ +60°C	
	Humidity	RH 20~80% with no condensation	

4.2. Camera Output Signal Specification

Video output	Effective output 1620(H) × 1220(V) at full frame scan mode
Sync signals Input /Output	<p>HD/VD Input signal level: 2~5Vp-p, TTL input</p> <p>Input impedance: 10kΩ</p> <p>Allowable frequency deviation: ±1%</p> <p>Phase difference: HD/VD: under 0±5μs</p> <p>Jitter: under 15ns</p> <p>(Referential Drawing)</p>  <p>HD/VD/WEN output CMOS(74VHC04 equivalent) Output impedance: 100Ω</p> <p>HD/VD/WEN output signal level Low 0.5V (max), High 4~5V</p>
Trigger input	<p>Polarity: Positive</p> <p>Input signal level: Low 0.5V (Max), High 2.5~5V</p> <p>Input impedance: 1kΩ</p> <p>Trigger input width: 4μs ~ 250ms</p> <p>(Referential Drawing)</p> 
Scan IN input Scan switching at No.9 pin.	<p>Input signal level: Low 0.5V (Max), High 2.5~5V</p> <p>Input impedance: 10kΩ (Pull Up)</p> <p>(Referential Drawing)</p> 
Video signals	<p>VS output 1.0V (p-p), Sync. Negative, 75Ω unbalanced, DC connect</p> <p>White clip level: 840 ± 70 mVp-p</p> <p>Setup level: 25 ± 15 mVp-p (Gain 0dB)</p> <p>SYNC level: 290 ± 50 mVp-p</p> <p>VS DC level: 0 ± 100 mV</p>

4.3. CCD Spectral Response (Representative Value)



5. Function Settings

Rear panel switch		
1	<input checked="" type="checkbox"/>	E2
2	<input checked="" type="checkbox"/>	E1
3	<input checked="" type="checkbox"/>	E0
4	<input checked="" type="checkbox"/>	Mode1
5	<input checked="" type="checkbox"/>	Mode0
6	<input checked="" type="checkbox"/>	Scan1
7	<input checked="" type="checkbox"/>	Scan0
8	<input checked="" type="checkbox"/>	Gain
9	<input checked="" type="checkbox"/>	Scan Enable
10	<input type="checkbox"/>	IN/OUT

↑  
OFF

● indicates initial setting position.

- ◇ Shutter speed 3bit 8steps  
OFF(1/15s) ~ 1/10,000s
- ◇ Trigger shutter mode 3bit  
Normal shutter mode, Fixed trigger shutter mode, Pulse width trigger shutter mode
- ◇ Scan mode 3bit  
Full frame scan mode, Binning mode, 1/2, 1/4 partial scan mode
- ◇ 0dB fixed / Manual gain
- ◇ Scan Enable (No.9 pin of the circular connector valid/invalid)
- ◇ HD/VD signals input/output settings (No.6 and 7 pins of the circular connector)

Other Optional Functions (optional settings as the factory settings)

- ◇ HD/VD75Ω impedance
- ◇ AGC Gain
- ◇  $\gamma = 0.45$

Please ask for the details.



### Shutter speed settings

E2	E1	E0	Shutter Speed	Actual Time	
SW1	SW2	SW3		Normal shutter mode	Fixed trigger shutter mode
OFF	OFF	OFF	OFF (1/15s)	66.7 ms	33.5 ms
OFF	OFF	ON	1/120 sec	9.74 ms	9.84 ms
OFF	ON	OFF	1/300 sec	3.94 ms	3.95 ms
OFF	ON	ON	1/600 sec	1.94 ms	1.95 ms
ON	OFF	OFF	1/1,250 sec	952μs	966μs
ON	OFF	ON	1/2,500 sec	455μs	468μs
ON	ON	OFF	1/5,000 sec	207μs	220μs
ON	ON	ON	1/10,000 sec	83μs	95μs

■ Indicates initial setting position

### Shutter mode settings

MODE1	MODE0	Setting Mode
SW4	SW5	
OFF	OFF	Normal shutter mode (including Restart-Reset mode)
OFF	ON	Fixed trigger shutter mode (Sync Reset Mode)
ON	OFF	Pulse width trigger shutter mode 1 (Sync Reset Mode)
ON	ON	Pulse width trigger shutter mode 2 (Sync Non-Reset Mode)

■ Indicates initial setting position

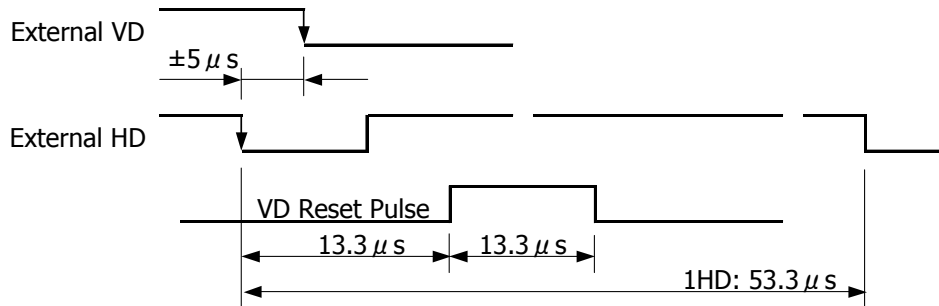
### Table of settings

Function	Normal Shutter mode	Fixed trigger shutter mode (Sync Reset)	Pulse width trigger shutter mode 1 (SYNC Reset)	Pulse width trigger shutter mode 2 (SYNC Non-Reset)
Shutter settings by fixed switch	○※1	○	×	×
Shutter settings by trigger pulse width	×	×	○	○
Full Frame Scan mode	○	○	○	○
Binning Scan mode	○	○	○	○
Partial Scan mode	○	○	○	○
HD/VD Input	○	○HD	○HD	○
HD/VD Output	○	○	○	×

※1 When using the camera at Restart-Reset mode, shutter speed settings shall be OFF.

### Normal shutter mode

Each scan operation, HD/VD external sync input, and sync output is valid. When adding external sync input, please follow HD/VD input conditions shown below.



### Restart-Reset mode (Long time exposure mode)

Restart-reset mode (Long time exposure mode) is valid at normal shutter mode, with setting the shutter to OFF, HD/VD sync input ON, and adding external EXT HD input. With adding EXT VD at random timing with over 1VD, data for one screen image is read out. This function is useful when sensitivity with regular exposure time is not sufficient or when indicating the locus of moving object. Restart-reset mode corresponds to all scanning modes.

### Fixed trigger shutter mode (Sync Reset Mode)

With trigger input, images at any timing can be captured with setting exposure time by the shutter value of switch at camera rear. Internal SYNC and VD are reset right after completion of exposure time so that the video output signals are read out right away. HD external input is valid but VD external input invalid.

Exposure time = Value of switch at rear

Conditions: Trigger input pulse width shall be  $4 \mu s \sim 250ms$ , Positive Logic

The shortest trigger cycle = 1 frame + 5H

### Pulse width trigger shutter mode 1 (Sync Reset Mode)

With trigger input, images at any timing can be captured with setting exposure time by trigger pulse width. Internal SYNC and VD are reset right after completion of exposure time so that the video output signals are read out right away. HD external input is valid but VD external input invalid.

Exposure time = Trigger pulse width ( $\mu s$ ) +  $4.7 \mu s$  typical

Conditions: Trigger input pulse width shall be  $4 \mu s \sim 250ms$ , Positive Logic

The shortest trigger cycle = 1 frame + 5H

**Pulse width trigger shutter mode 2 (Sync Non-Reset Type)**

With trigger input, images at any timing can be captured with setting exposure time by trigger pulse width. Signals are read out after waiting for the external VD (single) input so that the video output signals are read out at the controlled timing. The down edge phase of external HD/VD signals should be matched. The time frame to input an external single VD after trigger input is fallen, should be set between 150  $\mu$ s to 100ms.

Exposure time = Trigger width ( $\mu$ s) + 4.7  $\mu$ s typical

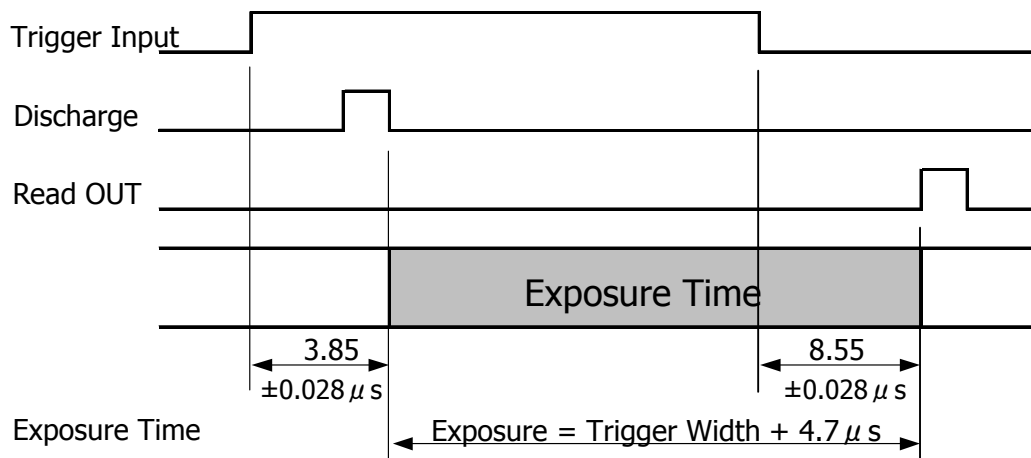
Conditions: Trigger input pulse width shall be 4  $\mu$ s ~ 250ms, Positive Logic

The shortest trigger cycle = Trigger width + VD input time + 1 frame + 2H

Caution 1: When the next trigger is input before the completion of video signals output for the prior trigger, the image could be improper.

Caution 2: Smear or blooming could occur when strong incident light is extensively illuminated, with setting the electric shutter at high speed. To avoid this smear or blooming, lower the volume of incident light or use a stroboscopic light source to adjust the light volume.

Caution 3: Please refer to the timing chart below for the actual time when exposure starts after trigger is input, and the actual time when exposure completes at pulse width trigger shutter mode.



**Scan mode setting**

MODE1 MODE0 Setting Mode  
 SW6 SW7  
 OFF  OFF Full frame scan mode  
 OFF  ON Binning mode  
 ON  OFF 1/2 Partial scan mode  
 ON  ON 1/4 Partial scan mode  
 Indicates initial setting position

**Enable scan mode settings via No.9 pin of 12pins circular connector**

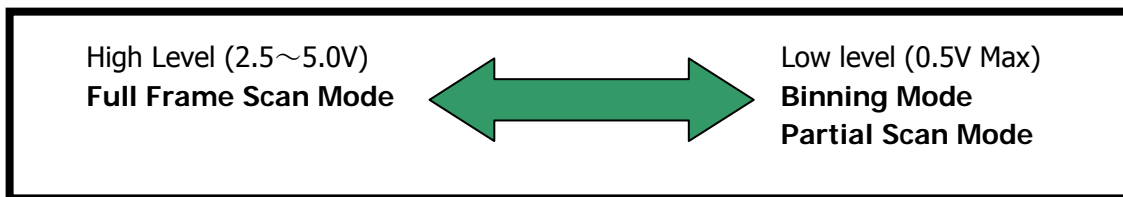
SW9  
 Invalid No.9 pin input (Pull up 10kΩ)  
 Valid No.9 pin input  
 Indicates initial setting position

Scan mode	Frame rate (fps)	Scanning (lines)	Blanking (lines)	Video output lines (lines)
Full Frame scan mode	14.98	1252	32	1220
Binning mode	29.95	626	24	602
1/2 Partial scan mode	29.95	626	49	550
1/4 Partial scan mode	59.91	313	62	211

**Changing the scan settings**

Scanning can be changed basically by the settings of camera switch at rear, but it can be also changed by the input level of No. 9pins of the circular connector at both normal shutter mode and trigger shutter mode.

- 1 Set SW 9 ON at camera rear to enable No. 9 pins input of the circular connector.
- 2 Select Binning mode or Partial scan mode with SW 6 and 7 at camera rear.
- 3 Select input level, High Level/Low Level, of No. 9 pins of the circular connector.



**Gain settings**

SW8  
 0dB Fixed  
 Manual gain (MGC volume at rear)

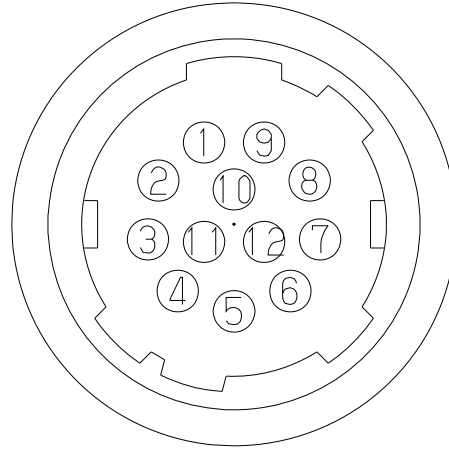
**HD/VD input and output settings**

SW10  
 HD/VD output  
 HD/VD input  
 Indicates initial setting position

## 6. External Connector Pin Assignment

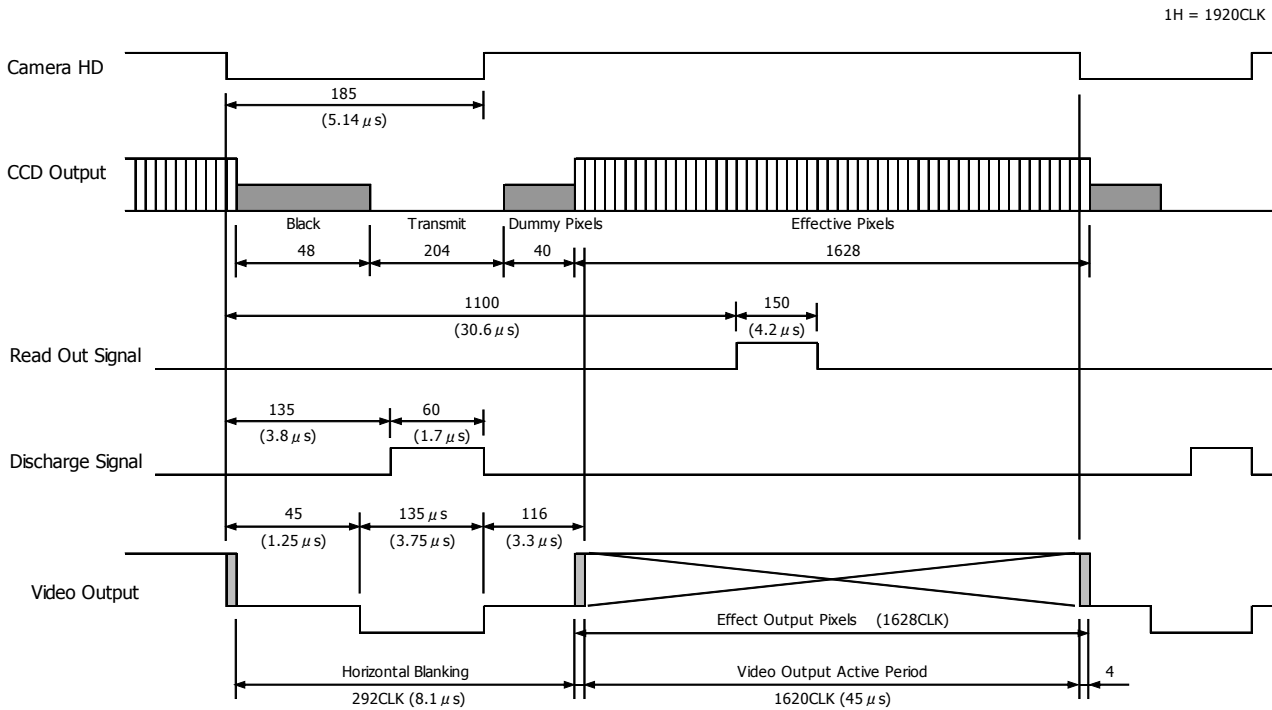
12pins Circular Connector HR10-10R-12PA (Hirose)

Pin No.	
1	GND
2	Power IN +12V
3	GND
4	Video Out
5	GND
6	HD In/Out
7	VD In/Out
8	GND
9	SCAN In
10	WEN Out
11	Trigger In
12	GND



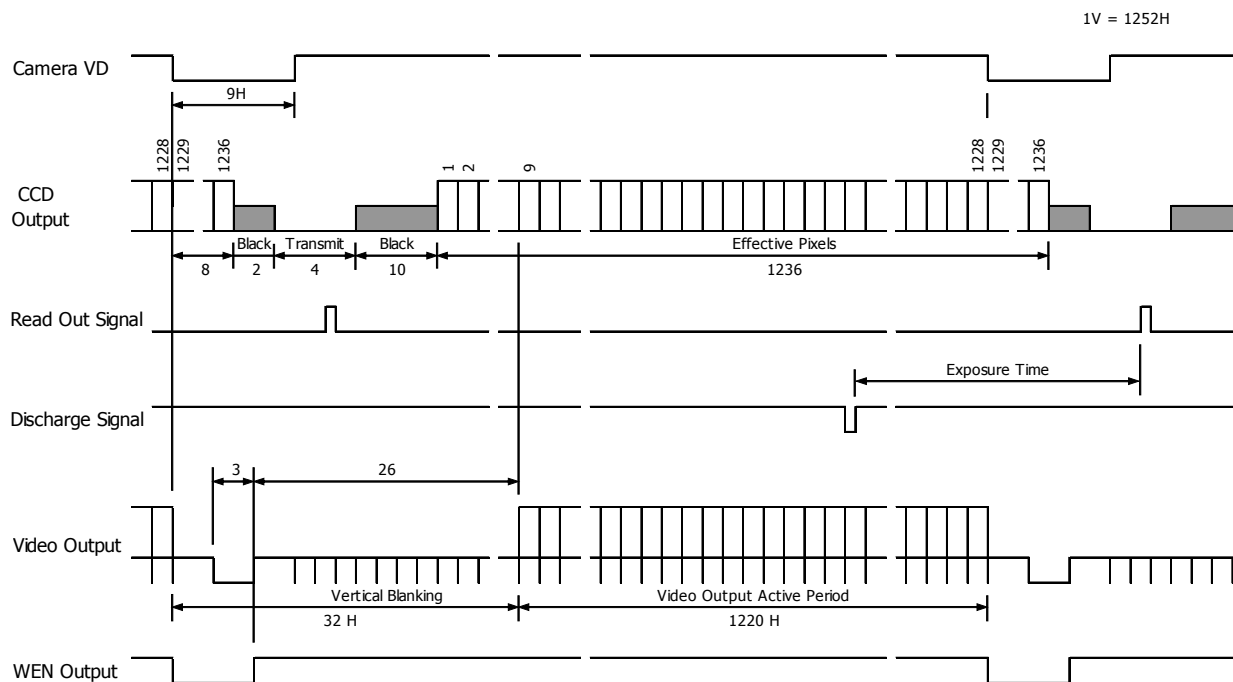
## 7. Timing Chart

### 7.1. Horizontal Synchronous Timing

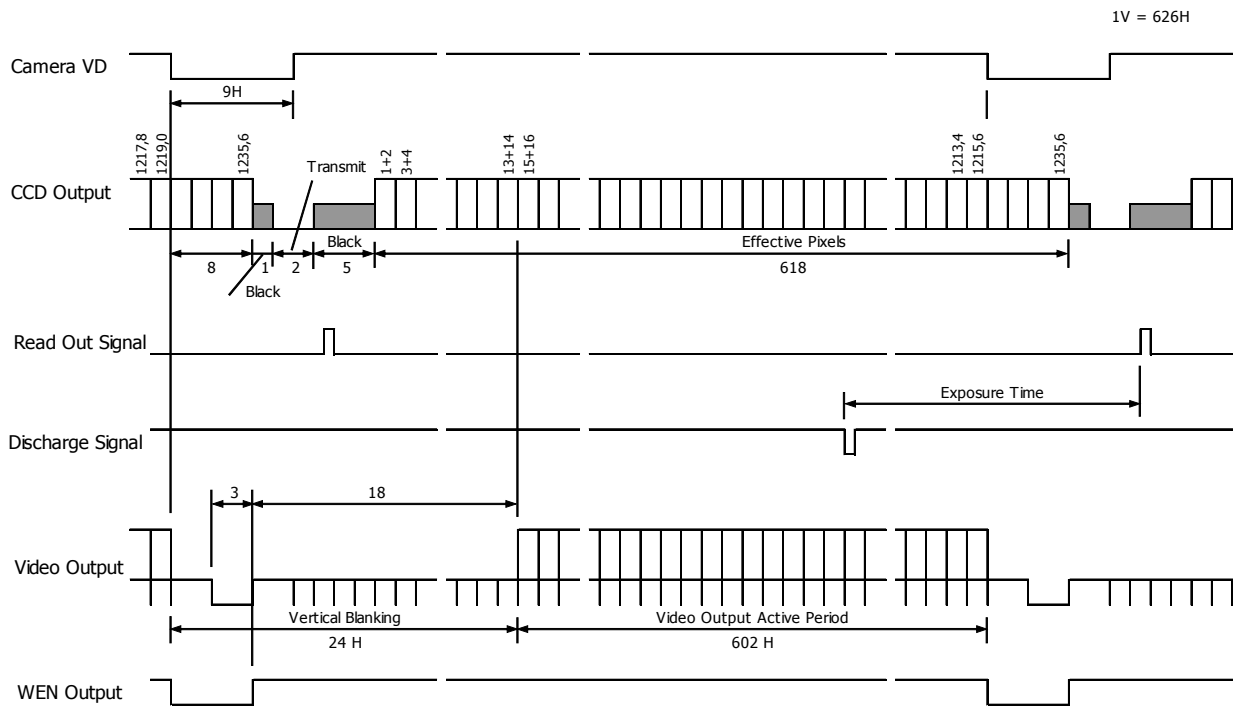


### 7.2. Vertical Synchronous Timing

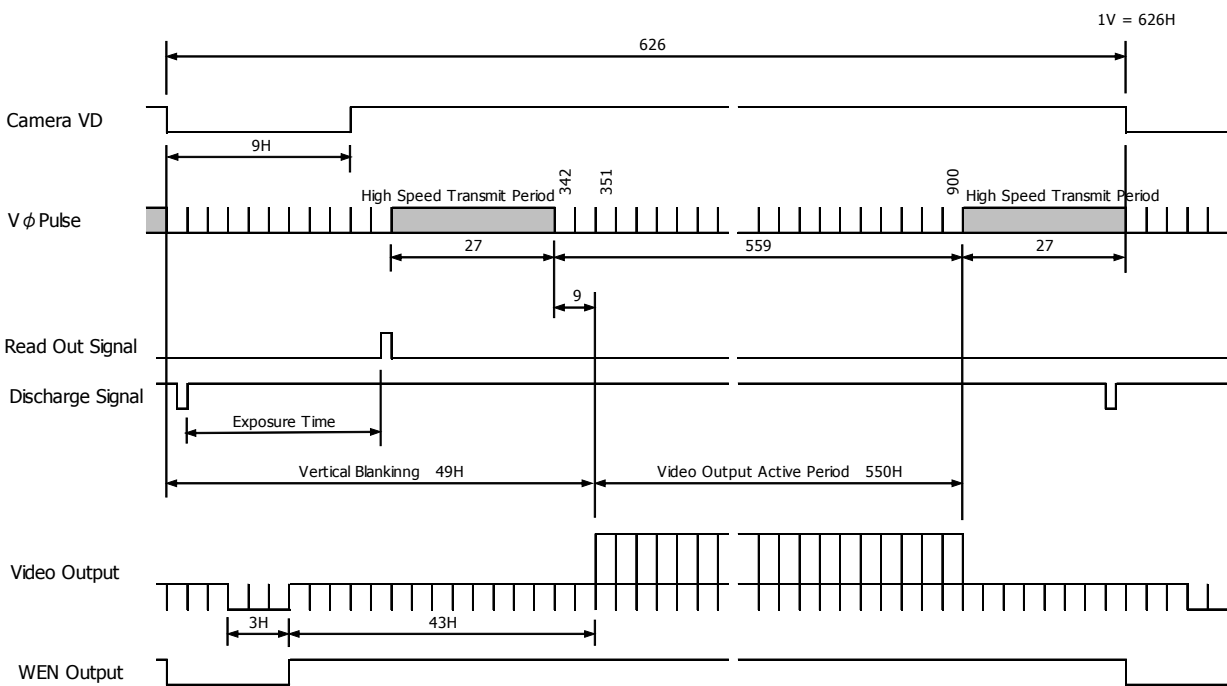
#### 7.2.1. Full Frame Scan Mode



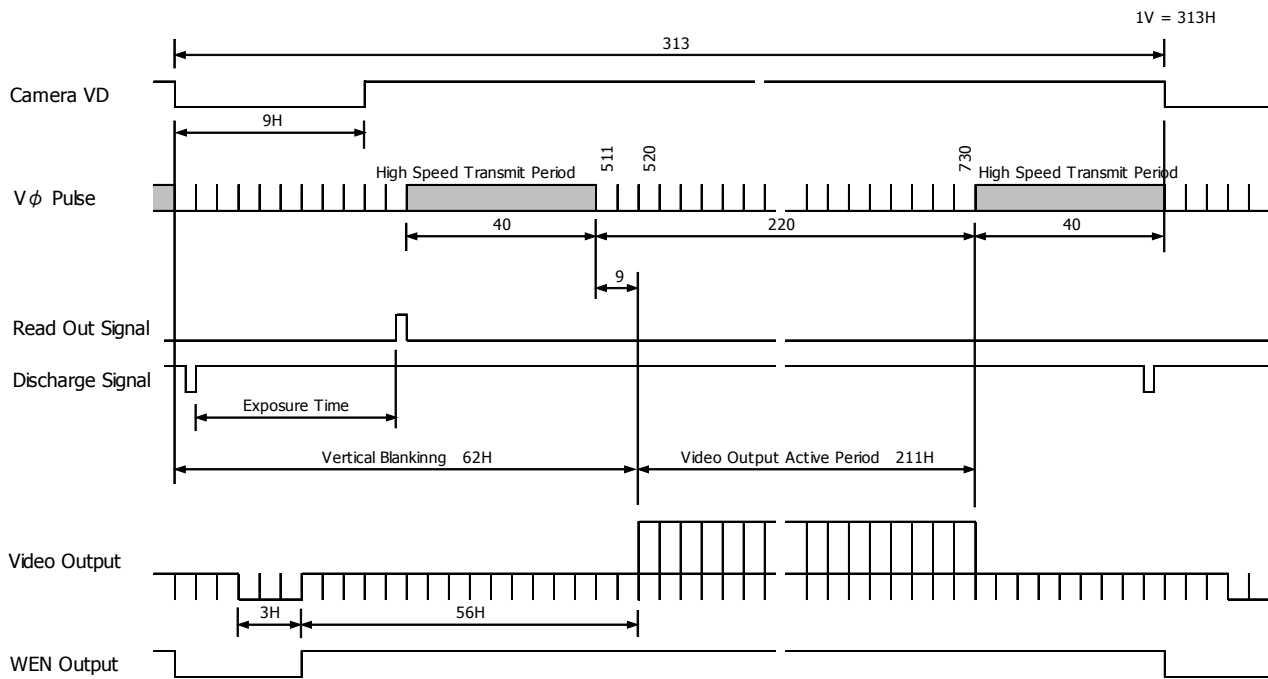
### 7.2.2. Binning Mode



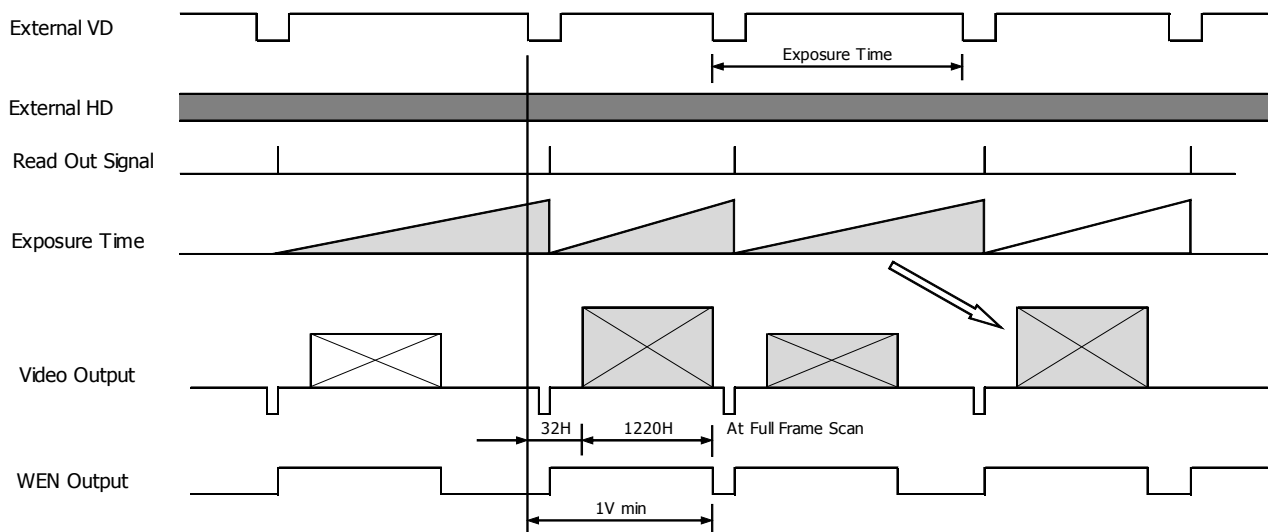
### 7.2.3. 1/2 Partial Scan Mode



### 7.2.4. 1/4 Partial Scan Mode



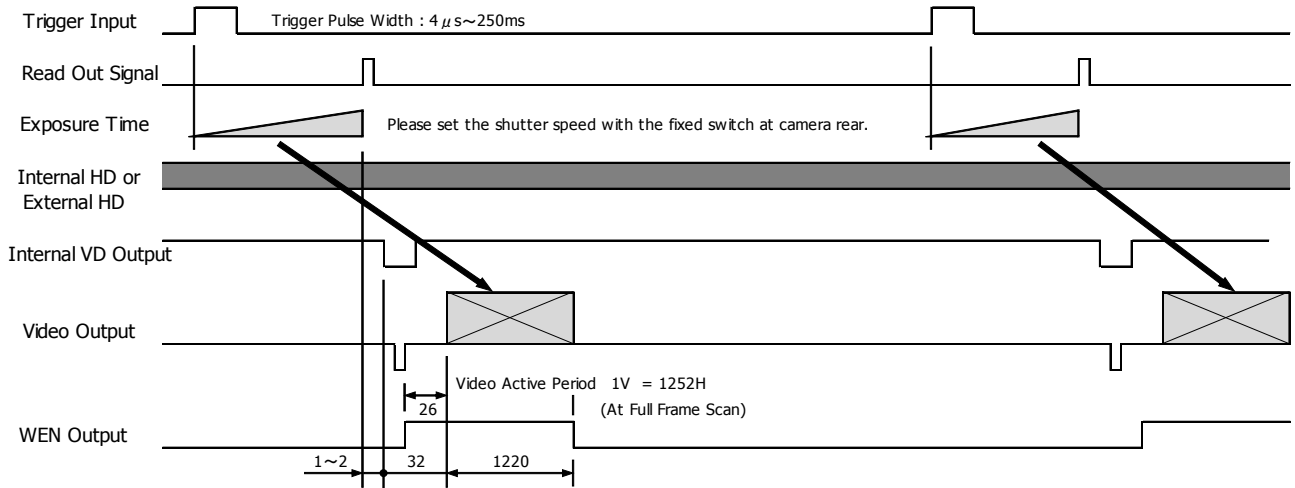
### 7.3. Restart Rest Mode (Long Time Exposure) Timing



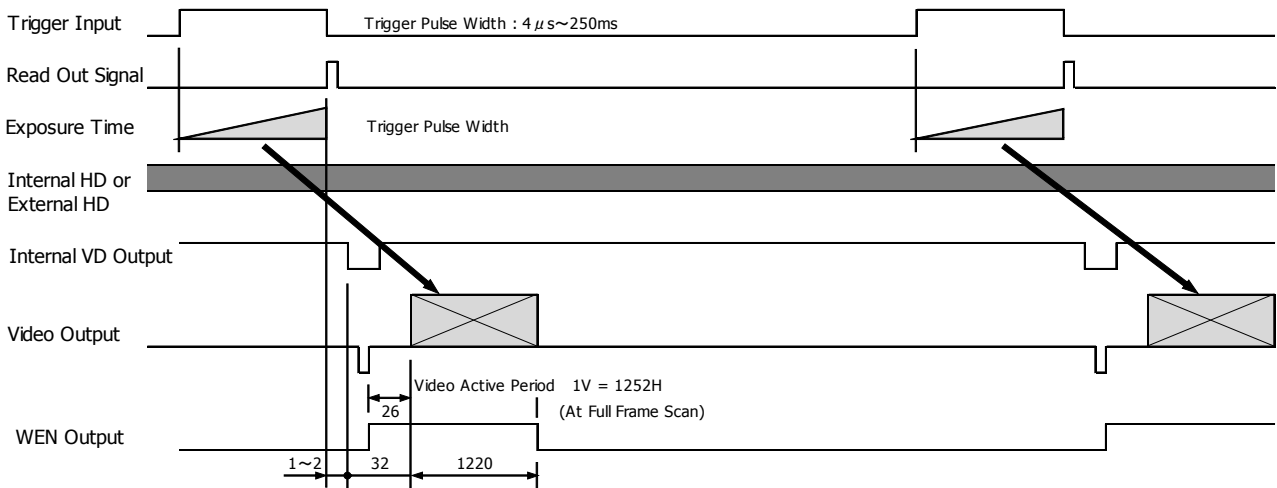


### 7.4. Trigger Shutter Mode Timing

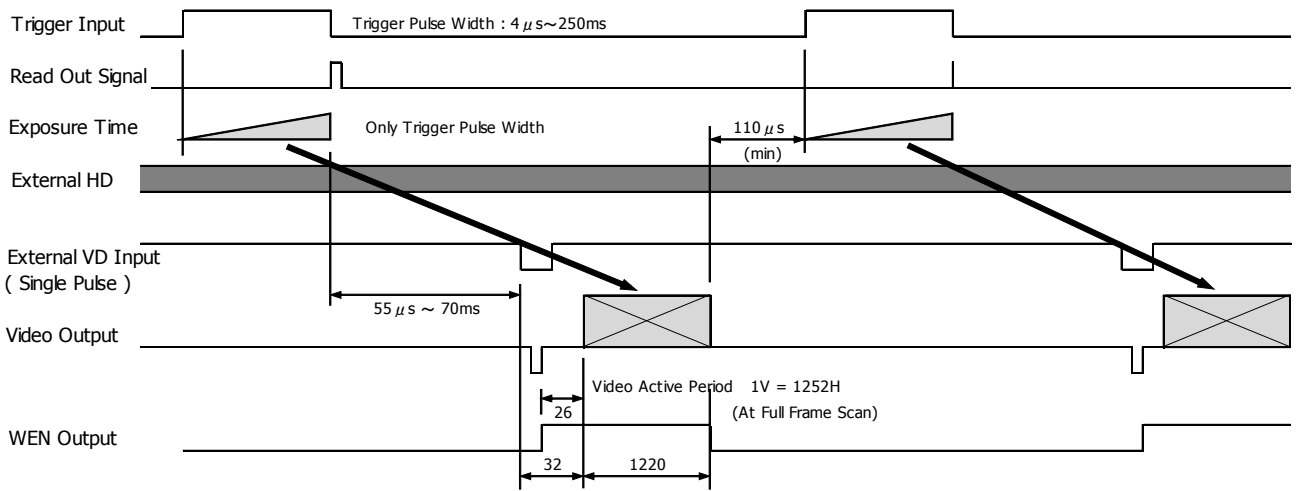
#### 7.4.1. Fixed Trigger Shutter Mode (SYNC Reset)



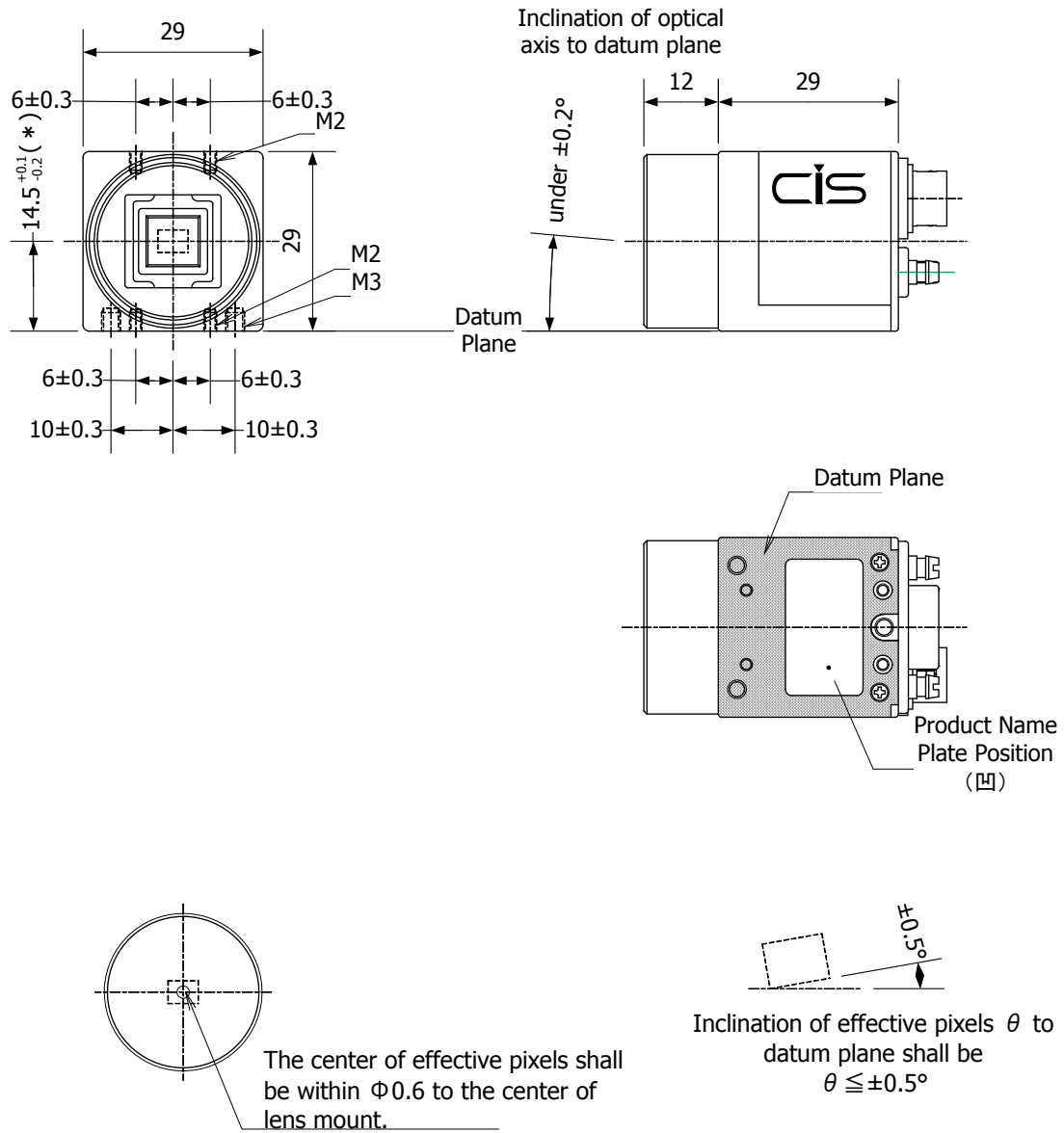
#### 7.4.2. Pulse Width Trigger Shutter Mode 1 (SYNC Reset)



### 7.4.3. Pulse Width Trigger Shutter Mode 2 (SYNC Non-Reset)



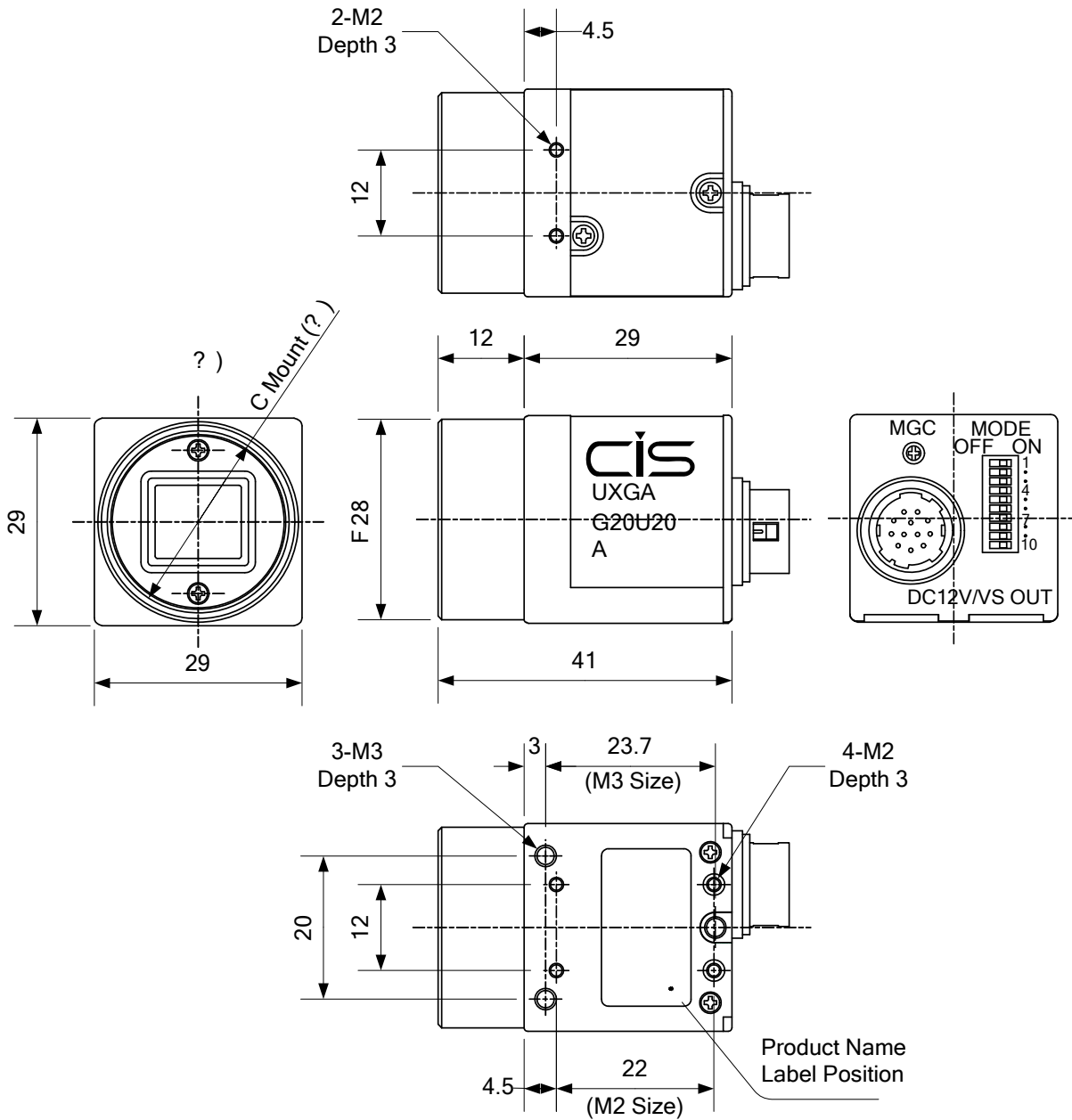
8. CCD Optical Axis Accuracy



(\* ) Dimension from datum plane to the center of lens mount.

910-005-00-00  
(Unit: mm)

9. Dimensions



(?)

C mount screws comply with ANSI/ASME B1.1, 1-32UN (2B).  
 Screw length from lens mount surface shall be under 6 mm.  
 Protruding portion shall be under 10 mm

999-487-00-00  
 (Unit: mm)

## 10. Cases for Indemnity (Limited Warranty)

We shall be exempted from taking responsibility and held harmless for damage or losses incurred by the user in the following cases.

- In case damage or losses are caused by fire, earthquake, or other acts of God, acts by third party, deliberate or accidental misuse by the user, or use under extreme operating conditions.
- In case indirect, additional, consequential damages (loss of business interests, suspension of business activities) are incurred as result of malfunction or non-function of the equipment, we shall be exempted from responsibility for such damages.
- In case damage or losses are caused by failure to observe the information contained in the instructions in this product specification & operation manual.
- In case damage or losses are caused by use contrary to the instructions in this product specification & operation manual.
- In case damage or losses are caused by malfunction or other problems resulting from use of equipment or software that is not specified.
- In case damage or losses are caused by repair or modification conducted by the customer or any unauthorized third party (such as an unauthorized service representative).
- Expenses we bear on this product shall be limited to the individual price of the product.

## 11. CCD Pixel Defect

CIS inspects and confirms no unit has CCD pixel defect before shipping out of our factory.

On very rare occasions, however, CCD pixel defects might be noted with time of usage of the products. Cause of the CCD pixel defects is the characteristic phenomenon of CCD itself and CIS is exempted from taking any responsibilities for them.

## 12. Product Support

When defects or malfunction of our products occur, and if you would like us to investigate on the cause and repair, please contact your distributors you purchased from to consult and coordinate.