

## Progressive Scan Color Camera



### FEATURES

1. Analog RGB Output
2. Electronic Shutter
3. Gain Setting
4. External Sync (HD/VD), External Trigger
5. Random Trigger
6. Remote Control

### TYPE

#### VCC-F40U24 【UXGA】

- 1/1.8" CCD 2.0million pixels Progressive Scan
- Frame rate 15fps

#### VCC-F40X34 【XGA】

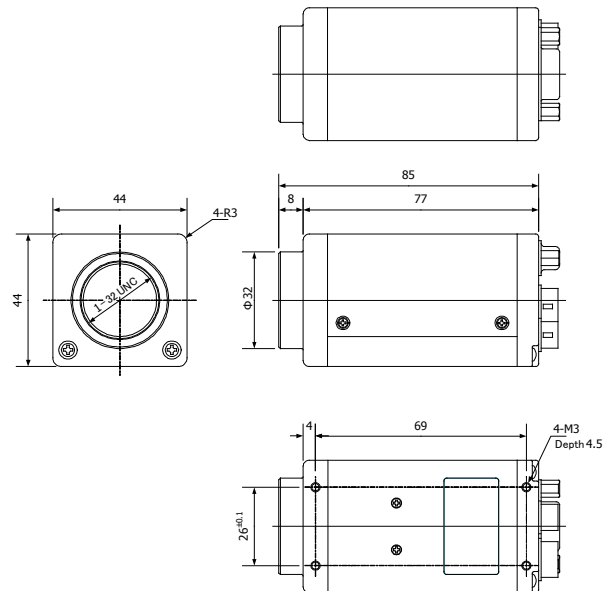
Planning

- 1/3" CCD 800k pixels Progressive Scan
- Frame rate 30fps

#### VCC-F40V24 【VGA】

- 1/2" CCD 330K pixels Progressive Scan
- Frame rate 60fps

### DIMENSIONS



### SPECIFICATIONS

	VCC-F40U24	VCC-F40X34	VCC-F40V24	Remarks
Image Format	UXGA	XGA	VGA	
Power Consumption	W Max	W Max	2.5W Max	
Power Supply	DC +12V±10%			
Pick Up Image Device	Interline Progressive CCD			
	1/1.8 inch CCD	1/3 inch CCD	1/2 inch CCD	
Effective Pixels	1628(H) × 1236(V)	1034(H) × 779(V)	659(H) × 494(V)	
Pixels in Video Output	1620(H) × 1220(V)	1024(H) × 758(V)	648(H) × 492(V)	
Horizontal Scanning Frequency	15.625KHz	23.622KHz	31.468KHz	
Pixel Frequency	30MHz		24.545MHz	
Video Output Signal	Analog RGB			1Vp-p
	15fps	30fps	60fps	
Minimum Illumination	F1.4 12lx	F1.4 25lx	F1.4 18lx	
Sensitivity	2000Lux, more than F5.6			706 mitt(3200K)
S/N ratio	more than 48dB (0dBγOFF/Aperture OFF)			RGB signal
Color Temp.	3200 ± 50°K			
Gain	0dB, 6dB, MANUAL(0dB~12dB)			
Shutter	1/15, 1/30, 1/60	1/30, 1/60, 1/100	1/60, 1/100, 1/120	
	1/100, 1/120, 1/250	1/120, 1/250, 1/500	1/250, 1/500, 1/1000	
Sync System	1/500, 1/1000, 1/2000	1/1000, 1/2000	1/2000, 1/4000	
	1/4000, 1/10000	1/4000, 1/10000	1/10000, 1/12000	
Other Function	Restart/Reset Trigger			
Lens Mount	C-mount			
Operating Temperature	0~+40°C(spec. guaranteed) Humidity 20~80%			with no dew
Weight	approx. 170g			
Dimensions	44mm(W)×44mm(H)×77mm(L)			except the protruding part

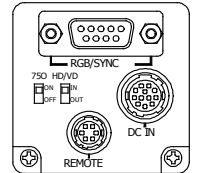
### REAR PANEL

#### 9Pin Dsub

PIN NO.	IN/OUT signal
1	GND
2	GND
3	R OUT
4	G OUT
5	B OUT
6	N.C
7	SYNC OUT
8	GND
9	GND

#### 6Pin Assignment

PIN NO.	IN/OUT signal
1	EIA-232C TDX OUT
2	EIA-232C RXD IN
3	GND
4	N.C
5	N.C
6	N.C



#### 12Pin Assignment

PIN NO.	Internal Sync mode	External Sync mode	External Trigger mode
1	GND	GND	GND
2	DC +12V IN	DC +12V IN	DC +12V IN
3	GND	GND	GND
4	N.C	N.C	N.C
5	GND	GND	GND
6	HD OUT	HD IN	HD IN or HD OUT
7	VD OUT	VD IN	Don't Connect
8	GND	GND	GND
9	N.C	N.C	N.C
10	WEN OUT	WEN OUT	WEN OUT
11	Don't Connect	Don't Connect	Trigger IN
12	GND	GND	GND